



Gas Cooktop Conversion To Natural Gas

wolfappliance.com 800.222.7820

CONTENTS

1	Orifice, 20k main, '208'
1	Orifice, 18k main, '205'
1	Orifice, 18k/20k simmer, '79'
1	Orifice, 18k/20k bypass main, '67'
1	Orifice, 18k/20k bypass simmer, '62'
2	Orifice, 12k main, '159'
2	Orifice, 12k simmer, '65' - with red dot
2	Orifice, 12k bypass main, '57'
4	Orifice, 12k and 9.2k bypass simmer, '50'
3	Orifice, 9.2k main, '140' or '54'
3	Orifice, 9.2k simmer, '65'
3	Orifice, 9.2k bypass main, '54'
1	Label, conversion

Note: This kit is only valid for models with a serial number 18085871 and higher, installed below 8,000' (2438 m) in altitude and is intended to convert from liquid propane to natural gas. Depending on the model, additional components may be included with this kit but not utilized.

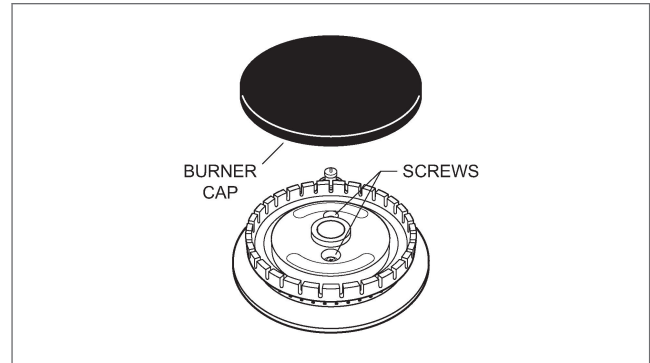
⚠ WARNING

This conversion kit shall be installed by a qualified service agency in accordance with the manufacturer's instructions and all applicable codes and requirements of the authority having jurisdiction. If the information in these instructions is not followed exactly, a fire, explosion or production of carbon monoxide may result causing property damage, personal injury or loss of life. The qualified service agency is responsible for the proper installation of this kit. The installation is not proper and complete until the operation of the converted appliance is checked as specified in the manufacturer's instructions supplied with the kit.

GAS COOKTOP SURFACE BURNER CONVERSION TO NATURAL GAS

1 Remove all knobs and bezels.

2 Remove the burner cap, then extract two screws from each surface burner.

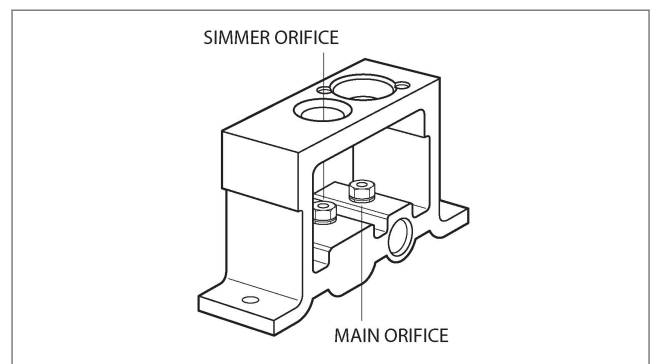


3 Gently lift each burner, then disconnect the igniter wire. Set burner assemblies aside then remove the burner pan.

4 Replace the existing main and simmer burner orifices. Refer to the chart below.

BURNER ORIFICE REFERENCE

BURNER SIZE	MAIN ORIFICE	SIMMER ORIFICE
20,000 Btu	208	79
18,000 Btu	205	79
12,000 Btu	159	65 with dot
9,200 Btu	140 or 54	65



5 Once all burner orifices have been replaced, access the bypass valves.

- For transitional models, remove the screws that secure the display bracket to the manifold bracket. Remove the display bracket. Remove the screws that secure the light board to manifold bracket then remove the light board.
- For professional and contemporary models, remove the screws that secure the receptacle to the valve then remove the receptacle.

6 Repeat process for each valve.





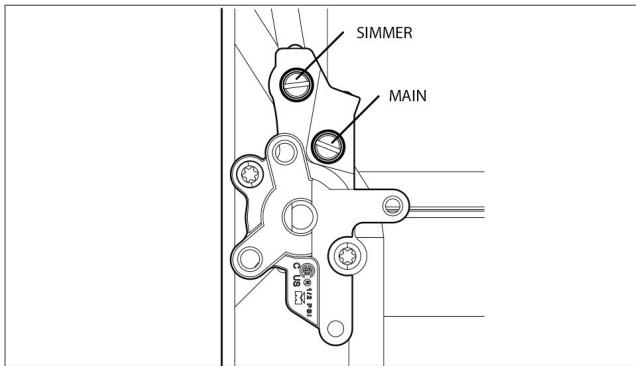
Gas Cooktop Conversion To Natural Gas

wolfappliance.com 800.222.7820

- 7 Replace the existing main and simmer bypass valve orifices. Refer to the chart below.

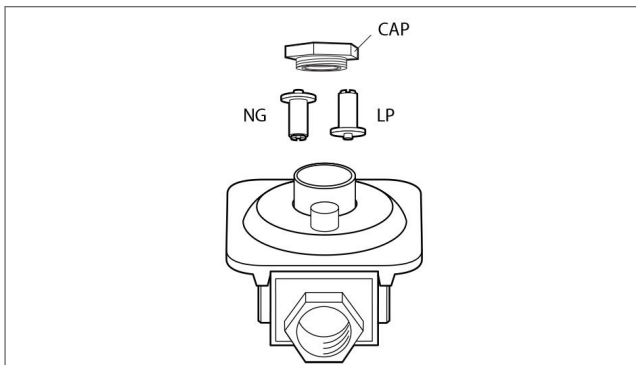
BYPASS VALVE ORIFICE REFERENCE

BURNER SIZE	MAIN ORIFICE	SIMMER ORIFICE
20,000 Btu	67	62
18,000 Btu	67	62
12,000 Btu	57	50
9,200 Btu	54	50



GAS COOKTOP REGULATOR CONVERSION

- 1 Remove the cap.
- 2 Rotate the insert 180 degrees and reinstall.



- 3 Install the cap.

GAS LEAK TESTING

- 1 Brush a liquid detergent solution onto all gas connections, then open the gas valve.
- 2 If bubbles appear, close the valve and adjust connections.
- 3 Check for leaks again.

- 4 Clean off the detergent solution.

⚠ WARNING

Never test for a gas leak with a flame.

GAS CONVERSION COMPLETION

- 1 Fill out the applicable information on the conversion label.
- 2 Place the label next to the existing rating plate.
- 3 Install the burners and tighten burner screws to 40 in-lbs.