



Contents

CONVERSION KIT	
1	Orifice, 15k main, '117'
2	Orifice, 15k and 12k simmer, '47'
2	Orifice, 15k bypass main and simmer, '43'
1	Orifice, 12k main, '105'
1	Orifice, 12k bypass main, '38'
3	Orifice, 9.2k main, '93'
3	Orifice, 9.2k simmer, '41'
3	Orifice, 9.2k bypass main, '34'
4	Orifice, 12k and 9.2k bypass simmer, '33'
1	Label, conversion
1	Instructions

IMPORTANT NOTE: Depending on the model, additional components may be included with this kit but not utilized.

⚠ WARNING

This conversion kit shall be installed by a qualified service agency in accordance with the manufacturer's instructions and all applicable codes and requirements of the authority having jurisdiction. If the information in these instructions is not followed exactly, a fire, explosion or production of carbon monoxide may result causing property damage, personal injury or loss of life. The qualified service agency is responsible for the proper installation of this kit. The installation is not proper and complete until the operation of the converted appliance is checked as specified in the manufacturer's instructions supplied with the kit.

Gas Cooktop

This kit is for all gas cooktops with serial numbers 1700000 and above and is intended to convert from natural gas to liquid propane.

⚠ CAUTION

Before proceeding with the conversion, shut off the gas supply to the appliance prior to disconnecting the electrical power.

Gas Cooktop

SURFACE BURNERS

- 1 Remove the burner cap, then extract two screws from each surface burner.
- 2 Gently lift each burner, then disconnect the igniter wire. Set burner assemblies aside.
- 3 For the 15,000 Btu (4.4 kW) burner, extract the existing main orifice and replace with a new '117' then extract the simmer orifice and replace with a new '47'.

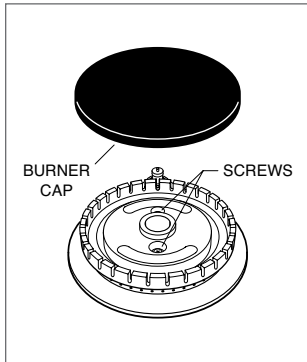
For the 12,000 Btu (3.5 kW) burner, extract the existing main orifice and replace with a new '105' then extract the simmer orifice and replace with a new '47'.

For all 9,200 Btu (2.7 kW) burners, extract the existing main orifice and replace with a new '93' then extract the simmer orifice and replace with a new '41'.

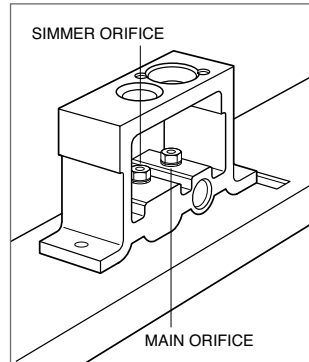
- 4 Once all burner orifices have been replaced, make a small cut in the light ring above each valve to access the bypass orifices.
- 5 For the 15,000 Btu (4.4 kW) burner valve, remove all 15,000 Btu (4.4 kW) main and simmer bypass orifices and replace with new '43' orifices.

For the 12,000 Btu (3.5 kW) main and simmer bypass orifices remove and replace with new '38' main and '33' simmer orifices.

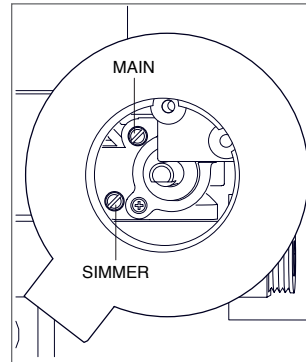
For all 9,200 Btu (2.7 kW) main and simmer bypass orifices remove and replace with new '34' main and '33' simmer orifices.



Surface burner.



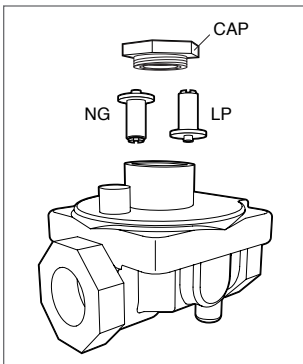
Surface burner orifice.



Burner valve.

REGULATOR CONVERSION

To convert the regulator, use a flat blade screwdriver (or other tool) to rotate the regulator cap, then remove. Flip the insert over and reinstall.



Regulator conversion.

GAS LEAK TESTING

Brush a liquid detergent solution onto all gas connections to test for leaks. Bubbles around connections will indicate a gas leak. If a leak appears, close the gas shut-off valve and adjust connections. Check for leaks again. Clean off the detergent solution.

⚠ WARNING

Never test for a gas leak with a match or other flame.

COMPLETION

Once the conversion is complete, fill out the applicable information on the conversion label, then place it next to the existing rating plate. Reinstall the burners then tighten burner screws to 40 in-lb.

