

# Wolf Pro Range and Rangetop High Altitude Liquid Propane Gas Conversion Packages

## INSTALLATION INSTRUCTIONS

**Conversion Package  
Part Numbers:**

- 803212 Rev. A
- 803213 Rev. A
- 803214 Rev. A
- 803215 Rev. A
- 803216 Rev. A
  
- For Use with Wolf Pro-Series Range & Rangetop Models:

R304-LP	RT362F-LP
R364C-LP	RT364C-LP
R364G-LP	RT364G-LP
R366-LP	RT366-LP
R482CF-LP	RT482CF-LP
R484CG-LP	RT484CG-LP
R484DC-LP	RT484DC-LP
R484DG-LP	RT484DG-LP
R484F-LP	RT484F-LP
R486C-LP	RT486C-LP
R486G-LP	RT486G-LP
R488-LP	RT488-LP
R604CF-LP	
R604GF-LP	
R606CG-LP	
R606DC-LP	
R606DG-LP	
R606F-LP	

**NOTE:** Only valid for above models with Serial Numbers 11,012,416 and above

### ⚠ WARNING

*This conversion package shall be installed by a qualified service agency in accordance with Wolf Appliance Co., LLC instructions and all applicable codes and requirements of the authority having jurisdiction. If the information in these instructions is not followed exactly, a fire, explosion or production of carbon monoxide may result causing property damage, personal injury or loss of life. The qualified service agency is responsible for the proper installation of this package. The installation is not proper and complete until the operation of the converted appliance is checked as specified in the manufacturer's instructions supplied with the package.*

**• Tools Needed for Conversion:**

- Phillips Head Screw Driver
- 7, 10, 12, 13, 16, and 19mm Open Ended Wrenches
- Adjustable Wrench
- 23mm Open Ended Wrench or Socket with driver

**NOTE:** This Package is to be installed only by a qualified service agency.

These instructions contain procedural information to convert a Wolf Pro-Series range or rangetop from a sea level unit up to 5,999 ft, to a high altitude unit, on unit models listed.

Some units may not contain all the burners this package contains conversion information for.

This conversion package was designed to convert a liquid propane (LP) gas range or rangetop to a high altitude unit, up to 11,000 feet. These instructions are all inclusive for all LP gas range or rangetop altitude conversions.

See the list of package numbers above and review the associated contents of the package ordered.

**NOTE:** Please check to verify that your package has all the appropriate parts before proceeding.

**Items Included in Package # 803212  
Liquid Propane (LP) Gas Conversion for 6,000 – 6,999 feet**

QTY	DESCRIPTION	STAMP#	REFERENCE ID
2	Orifice IR Griddle Burner	56	E
2	Orifice IR Char-broiler Burner	56	F
1	Orifice French Top Burner	109/57	G
2	Orifice Hood, Oven Burner Large	53	H
1	Orifice Hood, Oven Burner Small	57	I
1	803363 Conversion Label		
1	Conversion Instructions		

## Wolf Pro Range and Rangetop High Altitude Liquid Propane Gas Conversion Packages INSTALLATION INSTRUCTIONS

### Items Included in Package # 803213

#### Liquid Propane (LP) Gas Conversion for 7,000 – 7,999 feet

QTY	DESCRIPTION	STAMP#	REFERENCE ID
2	Orifice IR Griddle Burner	56	E
2	Orifice IR Char-broiler Burner	56	F
1	Orifice French Top Burner	106/58	G
2	Orifice Hood, Oven Burner Large	53	H
1	Orifice Hood, Oven Burner Small	57	I
1	803364 Conversion Label		
1	Conversion Instructions		

### Items Included in Package # 803214

#### Liquid Propane (LP) Gas Conversion for 8,000 – 8,999 feet

QTY	DESCRIPTION	STAMP#	REFERENCE ID
2	Orifice IR Griddle Burner	56	E
2	Orifice IR Char-broiler Burner	56	F
1	Orifice French Top Burner	104/59	G
2	Orifice Hood, Oven Burner Large	54	H
1	Orifice Hood, Oven Burner Small	58	I
1	803365 Conversion Label		
1	Conversion Instructions		

### Items Included in Package # 803215

#### Liquid Propane (LP) Gas Conversion for 9,000 – 9,999 feet

QTY	DESCRIPTION	STAMP#	REFERENCE ID
2	Orifice IR Griddle Burner	56	E
2	Orifice IR Char-broiler Burner	56	F
1	Orifice French Top Burner	102/60	G
2	Orifice Hood, Oven Burner Large	54	H
1	Orifice Hood, Oven Burner Small	58	I
1	803366 Conversion Label		
1	Conversion Instructions		

### Items Included in Package # 803216

#### Liquid Propane (LP) Gas Conversion for 10,000 – 11,000 feet

QTY	DESCRIPTION	STAMP#	REFERENCE ID
2	Orifice IR Griddle Burner	57	E
2	Orifice IR Char-broiler Burner	56	F
1	Orifice French Top Burner	102/60	G
2	Orifice Hood, Oven Burner Large	54	H
1	Orifice Hood, Oven Burner Small	58	I
1	803367 Conversion Label		
1	Conversion Instructions		

# Wolf Pro Range and Rangetop High Altitude Liquid Propane Gas Conversion Packages

## INSTALLATION INSTRUCTIONS

### Conversion Instructions

#### ⚠ CAUTION

*Before proceeding with the conversion, shut off the gas supply to the appliance prior to disconnecting the electrical power.*

#### General

Each section below discusses the process required to convert the unit from a natural gas sea level unit to a high altitude unit. Since these instructions cover multiple packages, letters will be used to designate the part which is replacing the standard production part. Please refer to the package item list on pages 1 & 2 for the appropriate description, stamped number on the orifice, and the reference ID letter.

#### Open Top Burner

Remove burner grates, outer burner ring, and using the S-hook that came with the unit, remove the porcelainized steel top.

- *Inner Burner Adjustment*

Adjust the simmer shutter to completely open position. (See Figure 1)

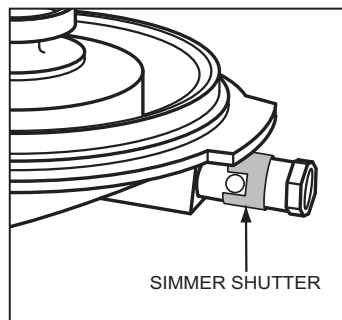


Figure 1. Simmer Shutter

#### Char Broiler and/or Griddle Section:

- *Front Panel*

Remove screws under front control panel, one (1) each on right and left side with a standard Phillips head screw driver. Remove all knobs, rotate panel out from the bottom, and lift up to remove. You may want to remove the drip tray(s) prior to removing the front panel.

- *Charbroiler*

Using a 16mm wrench, remove the gas supply line from the gas orifice elbow. Using a 13mm wrench, remove the elbow from its holder. With a 13mm and an adjustable wrench, remove Gas Orifice stamped 56 from the elbow and replace with Gas Orifice F. Replace elbow in holder and reattach gas supply line. (See Figure 2).

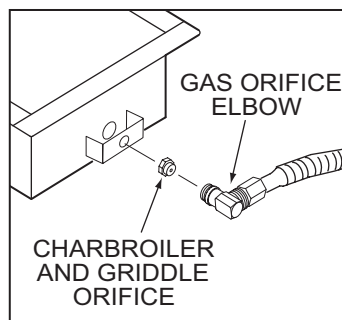


Figure 2. Char/Griddle Orifice

#### Char Broiler and/or Griddle Section: (Continued)

- *Griddle*

Using a 16mm wrench, remove the gas supply line from the elbow. Using a 13mm wrench, remove the elbow from its holder. With a 3mm and an adjustable wrench, remove Gas Orifice stamped 55 from the elbow and replace with Gas Orifice E. Replace elbow in holder and reattach gas supply line. (See Figure 2)

#### French Top Section:

- *French Top*

Remove all the rings and the ring base from the unit. Remove the front spacers and rear stainless steel vent. Remove the burner head bracket, burner head and inner ring. Remove 4 screws from the front and rear of the unit.

Lift the burner box from the front to access the jet holder underneath, propping up the front of the burner box.

Using a 7mm wrench, remove Burner Orifice stamped 117 from the jet holder assembly and replace with Burner Orifice G. (See Figure 3)

Lower the burner box, reinsert (4) screws, replace the burner head, burner head bracket and inner ring, replace porcelainized parts, and finally replace base and surface rings.

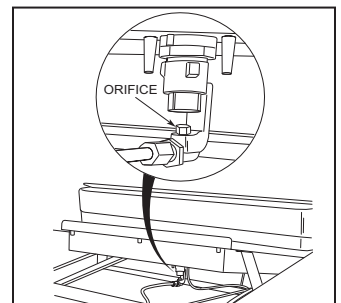


Figure 3. French Top

If your unit is a rangetop, then this completes the changing out of orifices portion of the conversion process. Please fill out the label and proceed to Flame Characteristics.

#### Oven Sections:

- *Large Oven Burner*

Remove 2 Phillips head screws just above the kick plate on the right and left sides. Remove kick plate. Remove 2 Phillips screws holding gas nozzle support plate. Using a 13 and a 15mm wrench, remove Gas Orifice stamped 55 and replace with Gas Orifice H. Reattach gas nozzle support plate and kick plate to unit.

- *Small Oven Burner*

Remove 2 Phillips head screws just above the kick plate on the right and left sides. Remove kick plate. Remove 2 Phillips screws holding gas nozzle support plate. Using a 13 and a 15mm wrench, remove Gas Orifice stamped 56 and replace with Gas Orifice I. Reattach gas nozzle support plate and kick plate to unit.

# Wolf Pro Range and Rangetop High Altitude Liquid Propane Gas Conversion Packages INSTALLATION INSTRUCTIONS

## Flame Characteristics:

The flame produced by the burner should be a quiet, blue flame, exhibiting no lifting or blowing. (See Figure 4)

**NOTE:** No modifications should need to be made to the flame, but if the burner is not exhibiting a proper flame and modifications need to be made, the CO level should be monitored at all times during modification. To modify flame characteristics on an open top outer burner, loosen the venturi set screw and move the venturi in or out until the proper flame is obtained. For the open top inner burner, rotate the air shutter until the proper flame is obtained. For the griddle, charbroil, oven broil, and oven burners, advance or retract, by screwing or unscrewing, the orifice elbow until the proper flame is obtained. For the French top, adjust the two brass nuts on the jet housing up or down until the proper flame is obtained.

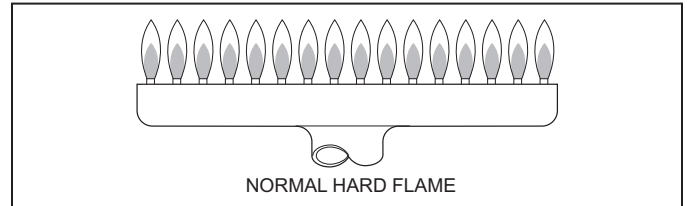


Figure 4. Normal Flame

## Ignition System:

If the unit is operating properly after conversion, the burners should ignite within 4 seconds of the gas flowing out of the burner ports. If the flame is extinguished, the unit should also automatically re-ignite within 4 seconds. When the burner is operating correctly, with a proper, hard flame, the unit should not be sparking.

## Leak Testing:

With all orifices converted, apply soapy water to all joints and fittings. Turn on all burners and check thoroughly for leaks. Then turn off all the burners and recheck for leaks.

## Labels:

Once installation of all orifices is complete, and all the appropriate tests have been satisfied, fill out all applicable information and affix the High Altitude Conversion Label as close as possible to the existing rating plate.