

# Wolf Pro Range and Rangetop High Altitude Natural Gas Fuel Conversion Packages

## INSTALLATION INSTRUCTIONS

### Conversion Package Part Numbers:

- 803207 Rev. A
- 803208 Rev. A
- 803209 Rev. A
- 803210 Rev. A
- 803211 Rev. A
- For Use with Wolf Pro-Series Range & Rangetop Models:

R304	RT362F
R364C	RT364C
R364G	RT364G
R366	RT366
R482CF	RT482CF
R484CG	RT484CG
R484DC	RT484DC
R484DG	RT484DG
R484F	RT484F
R486C	RT486C
R486G	RT486G
R488	RT488
R604CF	
R604GF	
R606CG	
R606DC	
R606DG	
R606F	

**NOTE:** Only valid for above models with Serial Numbers 11,012,416 and above

### ⚠ WARNING

*This conversion package shall be installed by a qualified service agency in accordance with Wolf Appliance Co., LLC instructions and all applicable codes and requirements of the authority having jurisdiction. If the information in these instructions is not followed exactly, a fire, explosion or production of carbon monoxide may result causing property damage, personal injury or loss of life. The qualified service agency is responsible for the proper installation of this package. The installation is not proper and complete until the operation of the converted appliance is checked as specified in the manufacturer's instructions supplied with the package.*

### • Tools Needed for Conversion:

Phillips Head Screw Driver  
7, 10, 12, 13, 16, and 19mm Open Ended Wrenches  
Adjustable Wrench  
23mm Open Ended Wrench or Socket with driver  
#46 Drill Bit (.081 Pin)

**NOTE:** This Package is to be installed only by a qualified service agency.

These instructions contain procedural information to convert a Wolf Pro-Series range or rangetop from a sea level unit up to 5,999 ft, to a high altitude unit, on unit models listed.

Some units may not contain all the burners this package contains conversion information for.

This conversion package was designed to convert a natural gas range or rangetop to a high altitude unit, up to 11,000 feet. These instructions are all inclusive for all natural gas range or rangetop high altitude conversions. See the list of package numbers above and review the associated contents of the package ordered.

**NOTE:** Please check to verify that your package has all the appropriate parts before proceeding.

### Items Included in Package # 803207 Natural Gas Conversion for 6,000 – 6,999 feet

QTY	DESCRIPTION	STAMP#	REFERENCE ID
2	Orifice IR Griddle Burner	47	E
2	Orifice IR Char-broiler Burner	52	F
1	Orifice French Top Burner	161 or 52	G
2	Orifice Hood, Oven Burner Large	40	H
1	Orifice Hood, Oven Burner Small	51	I
1	803358 Conversion Label		
1	Conversion Instructions		

**Wolf Pro Range and Rangetop High Altitude Natural Gas Fuel Conversion Packages  
INSTALLATION INSTRUCTIONS**

**Items Included in Package # 803208  
Natural Gas Conversion for 7,000 – 7,999 feet**

<b>QTY</b>	<b>DESCRIPTION</b>	<b>STAMP#</b>	<b>REFERENCE ID</b>
2	Orifice IR Griddle Burner	48	E
2	Orifice IR Char-broiler Burner	52	F
1	Orifice French Top Burner	151 or 53	G
2	Orifice Hood, Oven Burner Large	41	H
1	Orifice Hood, Oven Burner Small	52	I
1	803359 Conversion Label		
1	Conversion Instructions		

**Items Included in Package # 803209  
Natural Gas Conversion for 8,000 – 8,999 feet**

<b>QTY</b>	<b>DESCRIPTION</b>	<b>STAMP#</b>	<b>REFERENCE ID</b>
2	Orifice IR Griddle Burner	49	E
2	Orifice IR Char-broiler Burner	52	F
1	Orifice French Top Burner	151 or 53	G
2	Orifice Hood, Oven Burner Large	41	H
1	Orifice Hood, Oven Burner Small	52	I
1	803360 Conversion Label		
1	Conversion Instructions		

**Items Included in Package # 803210  
Natural Gas Conversion for 9,000 – 9,999 feet**

<b>QTY</b>	<b>DESCRIPTION</b>	<b>STAMP#</b>	<b>REFERENCE ID</b>
2	Orifice IR Griddle Burner	49	E
2	Orifice IR Char-broiler Burner	53	F
1	Orifice French Top Burner	151 or 53	G
2	Orifice Hood, Oven Burner Large	42	H
1	Orifice Hood, Oven Burner Small	53	I
1	803361 Conversion Label		
1	Conversion Instructions		

**Items Included in Package # 803211  
Natural Gas Conversion for 10,000 – 11,000 feet**

<b>QTY</b>	<b>DESCRIPTION</b>	<b>STAMP#</b>	<b>REFERENCE ID</b>
2	Orifice IR Griddle Burner	50	E
2	Orifice IR Char-broiler Burner	53	F
1	Orifice French Top Burner	140 or 54	G
2	Orifice Hood, Oven Burner Large	43	H
1	Orifice Hood, Oven Burner Small	54	I
1	803362 Conversion Label		
1	Conversion Instructions		

# Wolf Pro Range and Rangetop High Altitude Natural Gas Fuel Conversion Packages INSTALLATION INSTRUCTIONS

## Conversion Instructions

### ⚠ CAUTION

*Before proceeding with the conversion, shut off the gas supply to the appliance prior to disconnecting the electrical power.*

### General

Each section below discusses the process required to convert the unit from a natural gas sea level unit to a high altitude unit. Since these instructions cover multiple packages, letters will be used to designate the part which is replacing the standard production part. Please refer to the package item list on pages 1 & 2 for the appropriate description, stamped number on the orifice, and the reference ID letter.

### Open Top Burner

Remove burner grates, outer burner ring, and using the S-hook that came with the unit, remove the porcelainized steel top.

#### • Inner Burner Adjustment

Adjust the simmer shutter by placing a #46 drill bit into the opening and sliding the shutter closed onto the bit.

Remove the #46 drill bit.

Repeat on remaining burners. (See Figure 1)

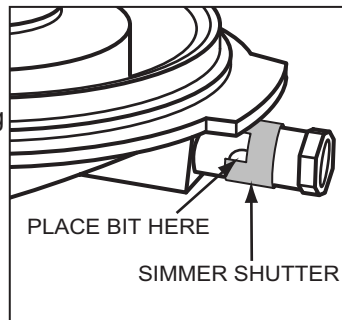


Figure 1. Simmer Shutter

#### • Outer Burner Adjustment

Adjust the venturi so that the end of the venturi is .3" from the cast surface. (See Figure 2)

**NOTE:** This can be estimated by placing a quarter between the orifice and venturi.

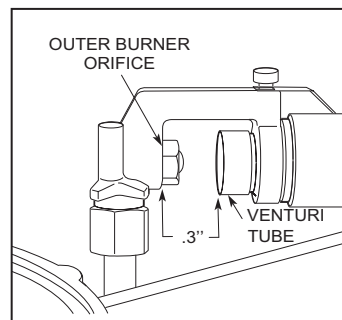


Figure 2. Outer Burner Venturi

### Char Broiler and/or Griddle Section:

#### • Front Panel

Remove screws under front control panel, one (1) each on right and left side with a standard Phillips head screw driver. Remove all knobs, rotate panel out from the bottom, and lift up to remove. You may want to remove the drip tray(s) prior to removing the front panel.

#### • Charbroiler

Using a 16mm wrench, remove the gas supply line from the gas orifice elbow. Using a 13mm wrench, remove the elbow from its holder.

With a 13mm and an adjustable wrench, remove Gas Orifice stamped 50 from the elbow and replace with Gas Orifice F. Replace elbow in holder and reattach gas supply line. (See Figure 3).

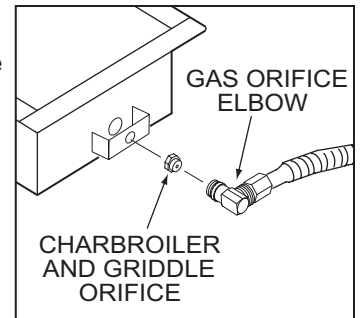


Figure 3. Char/Griddle Orifice

#### • Griddle

Using a 16mm wrench, remove the gas supply line from the elbow. Using a 13mm wrench, remove the elbow from its holder. With a 13mm and an adjustable wrench, remove Gas Orifice stamped 46 from the elbow and replace with Gas Orifice E. Replace elbow in holder and reattach gas supply line. (See Figure 3)

### French Top Section:

#### • French Top

Remove all the rings and the ring base from the unit. Remove the front spacers and rear stainless steel vent. Remove the burner head bracket, burner head and inner ring. Remove 4 screws from the front and rear of the unit. Lift the burner box from the front to access the jet holder underneath, propping up the front of the burner box. Using a 7mm wrench, remove Burner Orifice stamped 170 from the jet holder assembly and replace with Burner Orifice G. (See Figure 4)

Lower the burner box, reinsert (4) screws, replace the burner head, burner head bracket and inner ring, replace porcelainized parts, and finally replace base and surface rings. If your unit is a rangetop, then this completes the changing out of orifices portion of the conversion process. Please fill out the label and proceed to Flame Characteristics.

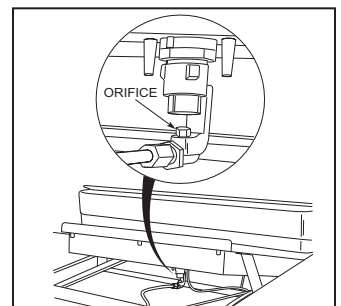


Figure 4. French Top

## Wolf Pro Range and Rangetop High Altitude Natural Gas Fuel Conversion Packages INSTALLATION INSTRUCTIONS

### Oven Sections:

- *Large Oven Burner*

Remove 2 Phillips head screws just above the kick plate on the right and left sides. Remove kick plate. Remove 2 Phillips screws holding gas nozzle support plate. Using a 13 and a 15mm wrench, remove Gas Orifice stamped 36 and replace with Gas Orifice H. Reattach gas nozzle support plate and kick plate to unit.

- *Small Oven Burner*

Remove 2 Phillips head screws just above the kick plate on the right and left sides. Remove kick plate. Remove 2 Phillips screws holding gas nozzle support plate. Using a 13 and a 15mm wrench, remove Gas Orifice stamped 48 and replace with Gas Orifice I. Reattach gas nozzle support plate and kick plate to unit.

### Flame Characteristics:

The flame produced by the burner should be a quiet, blue flame, exhibiting no lifting or blowing. (See Figure 5)

**NOTE:** No modifications should need to be made to the flame, but if the burner is not exhibiting a proper flame and modifications need to be made, the CO level should be monitored at all times during modification. To modify flame characteristics on an open top outer burner, loosen the venturi set screw and move the venturi in or out until the proper flame is obtained. For the open top inner burner, rotate the air shutter until the proper flame is obtained. For the griddle, charbroil, oven broil, and oven burners, advance or retract, by screwing or unscrewing, the orifice elbow until the proper flame is obtained. For the French top, adjust the two brass nuts on the jet housing up or down until the proper flame is obtained.

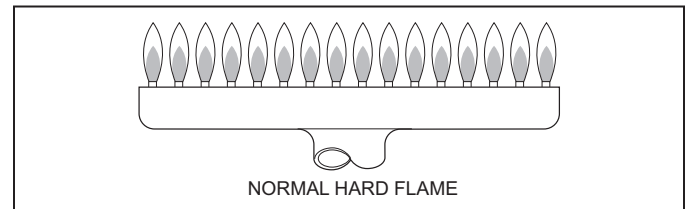


Figure 5. Normal Flame

### Ignition System:

If the unit is operating properly after conversion, the burners should ignite within 4 seconds of the gas flowing out of the burner ports. If the flame is extinguished, the unit should also automatically re-ignite within 4 seconds. When the burner is operating correctly, with a proper, hard flame, the unit should not be sparking.

### Leak Testing:

With all orifices converted, apply soapy water to all joints and fittings. Turn on all burners and check thoroughly for leaks. Then turn off all the burners and recheck for leaks.

### Labels:

Once installation of all orifices is complete, and all the appropriate tests have been satisfied, fill out all applicable information and affix the High Altitude Conversion Label as close as possible to the existing rating plate.