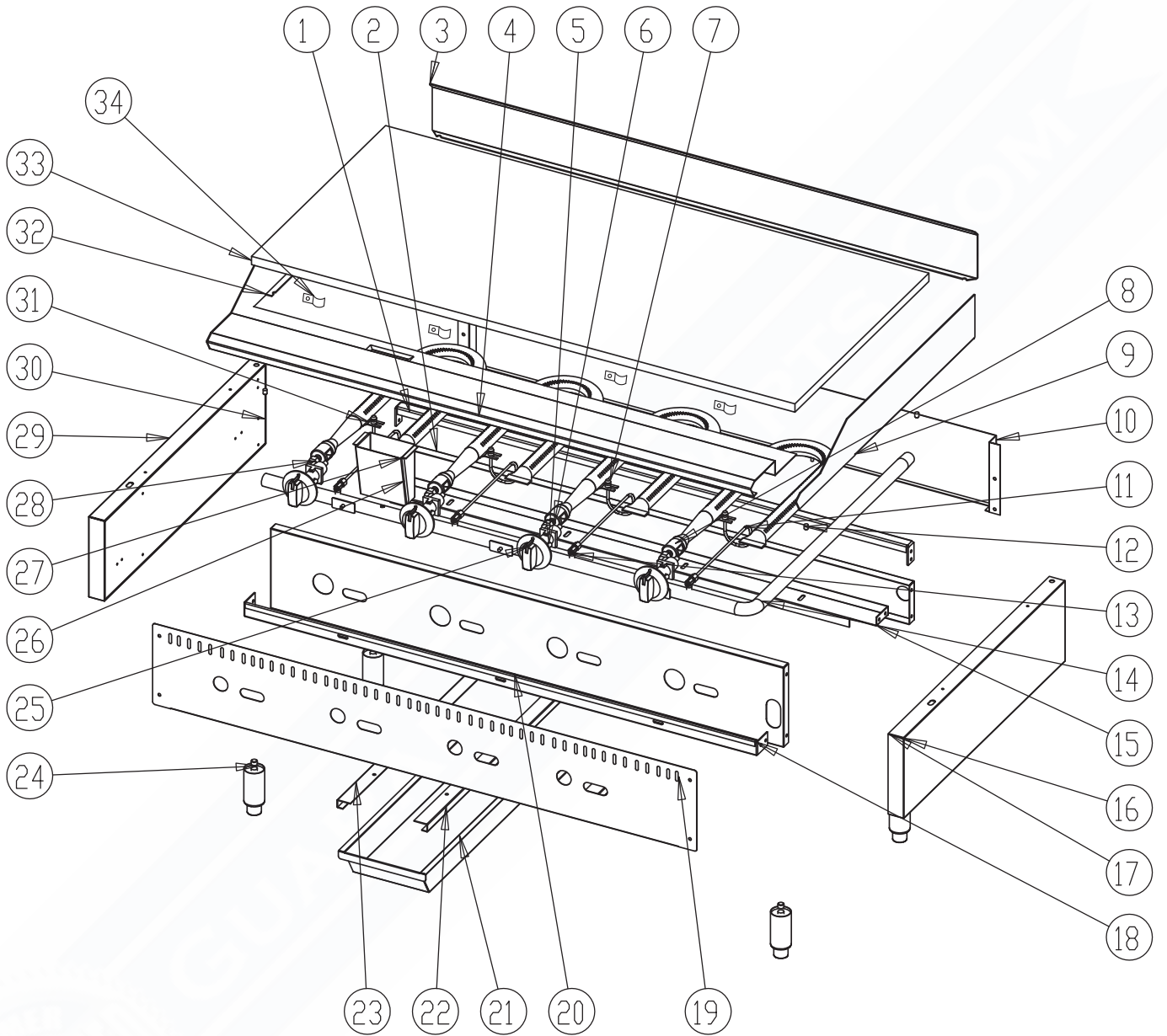


# **INSTRUCTION MANUAL**

## Thermostatic Gas Griddles



### Parts Diagram for the Gas Griddles



## Parts List for the Gas Griddles

DRW. NO.	Part Description
1	TOP REAR BEAM
2	LOWER REAR SHROUDING
3	BACK SIDE PANEL (COAMING)
4	FRONT PLATEN
5	GAS VALVE
6	NOZZLE
7	PILOT
8	U-SHAPED BURNER
9	RIGHT SIDE PANEL (COAMING)
10	FLUE PANEL
11	SUPPLY PIPE (PILOT)
12	LOCATION PIN (GRIDDLE PLATE)
13	NG/LPG REGULATION VALVE
14	GAS INLET PIPE
15	FIXED PLATE (BURNER)
16	RIGHT SIDE PANEL (EXTERNAL HOUSING)
17	RIGHT SIDE PANEL (INTERNAL HOUSING)
18	LOWER FRONT BEAM
19	FRONT PANEL
20	FRONT HEAT SHIELD
21	OIL TRAY
22	RIGHT GUIDE RAIL
23	LEFT GUIDE RAIL
24	ADJUSTABLE LEG
25	KNOB ( blue sticker ) KNOB ( black sticker )
26	SIDE PANEL 1 (DRIP PAN)
27	SIDE PANEL 2 (DRIP PAN)
28	TRANSITION JOINT
29	LEFT SIDE PANEL (EXTERNAL HOUSING)
30	LEFT SIDE PANEL (INTERNAL HOUSING)
31	FIXED PLATE (PILOT)
32	LEFT SIDE PANEL (COAMING)
33	GRIDDLE PLATE
34	PROBE FIXER