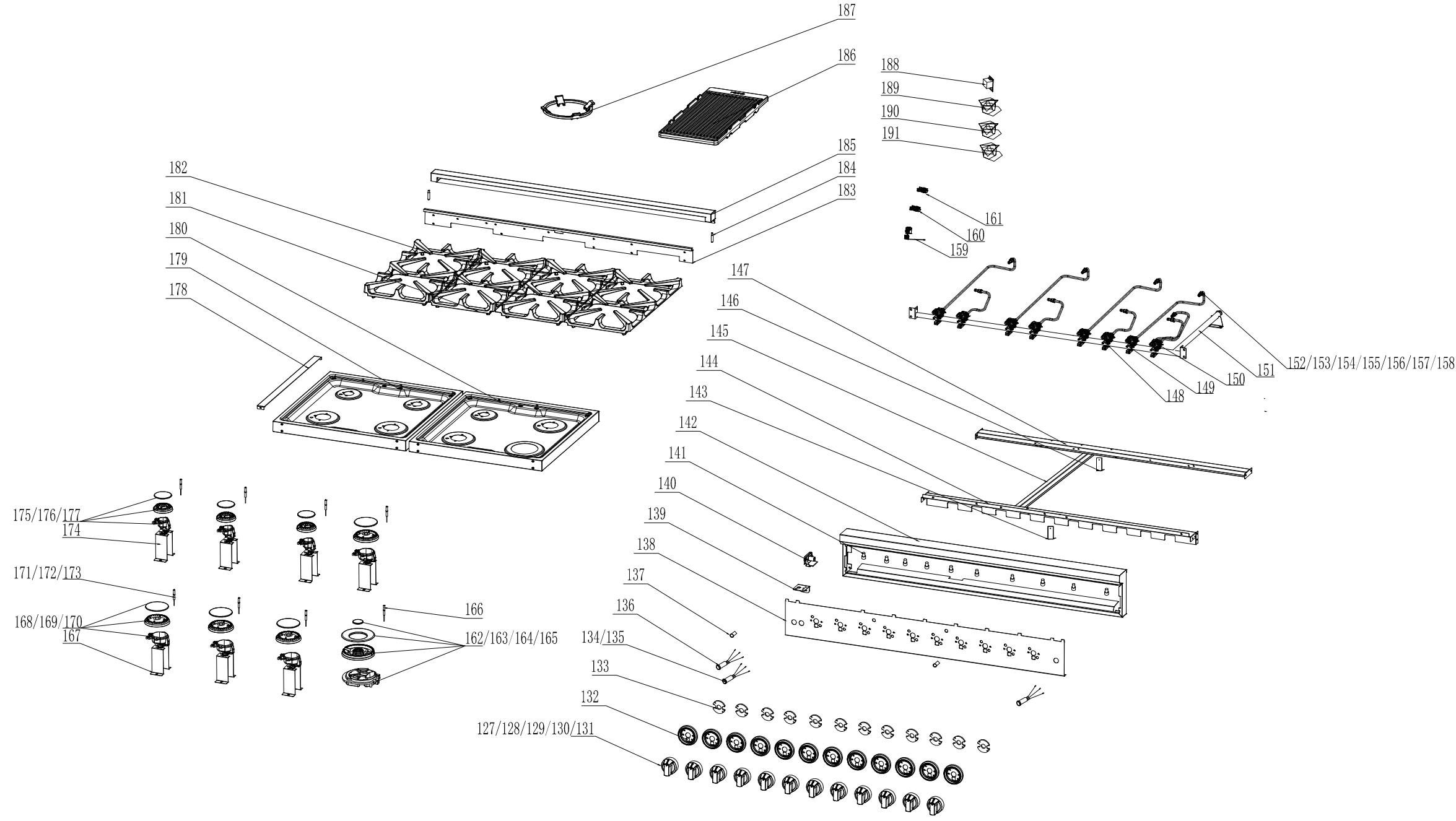
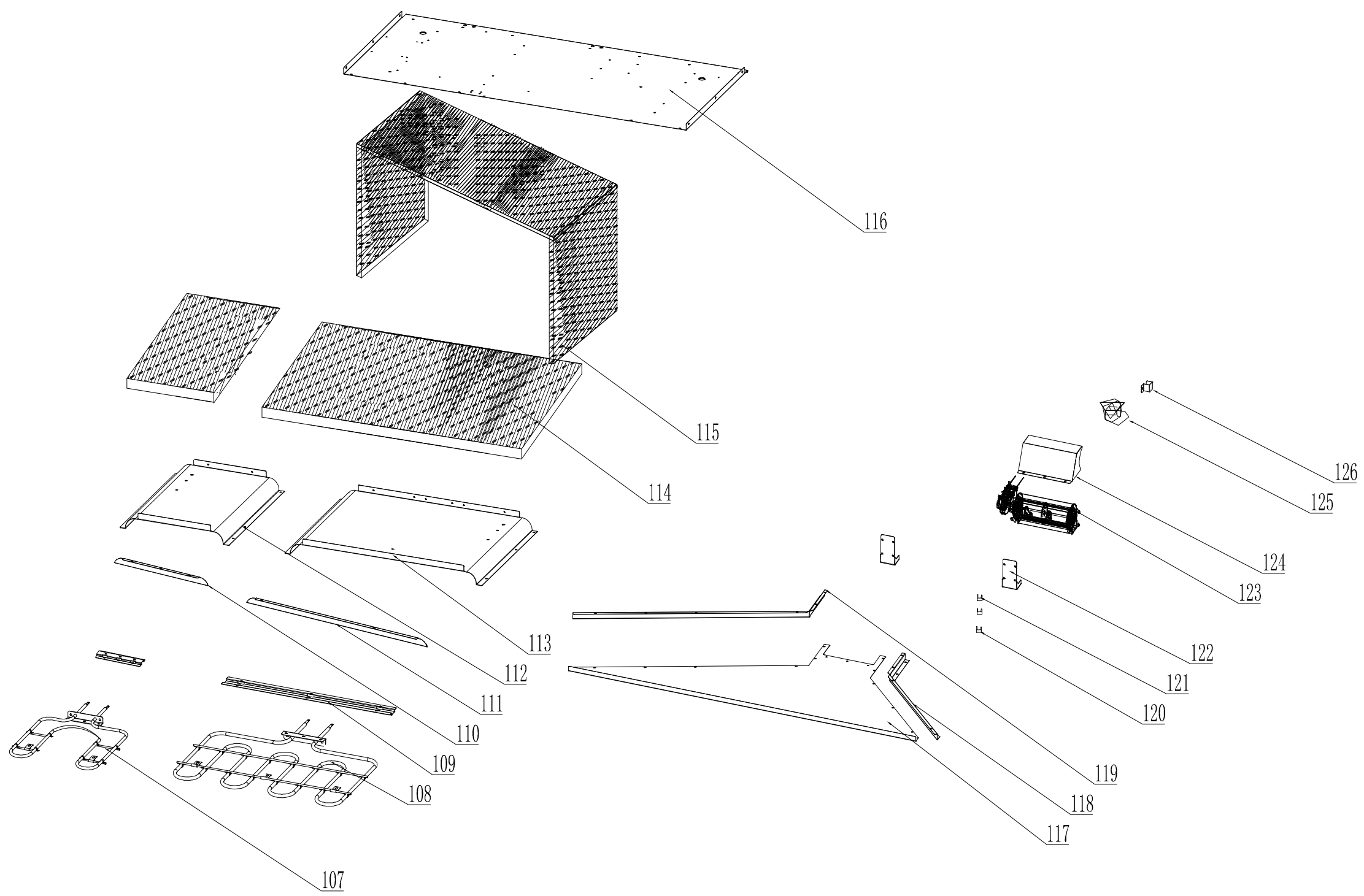


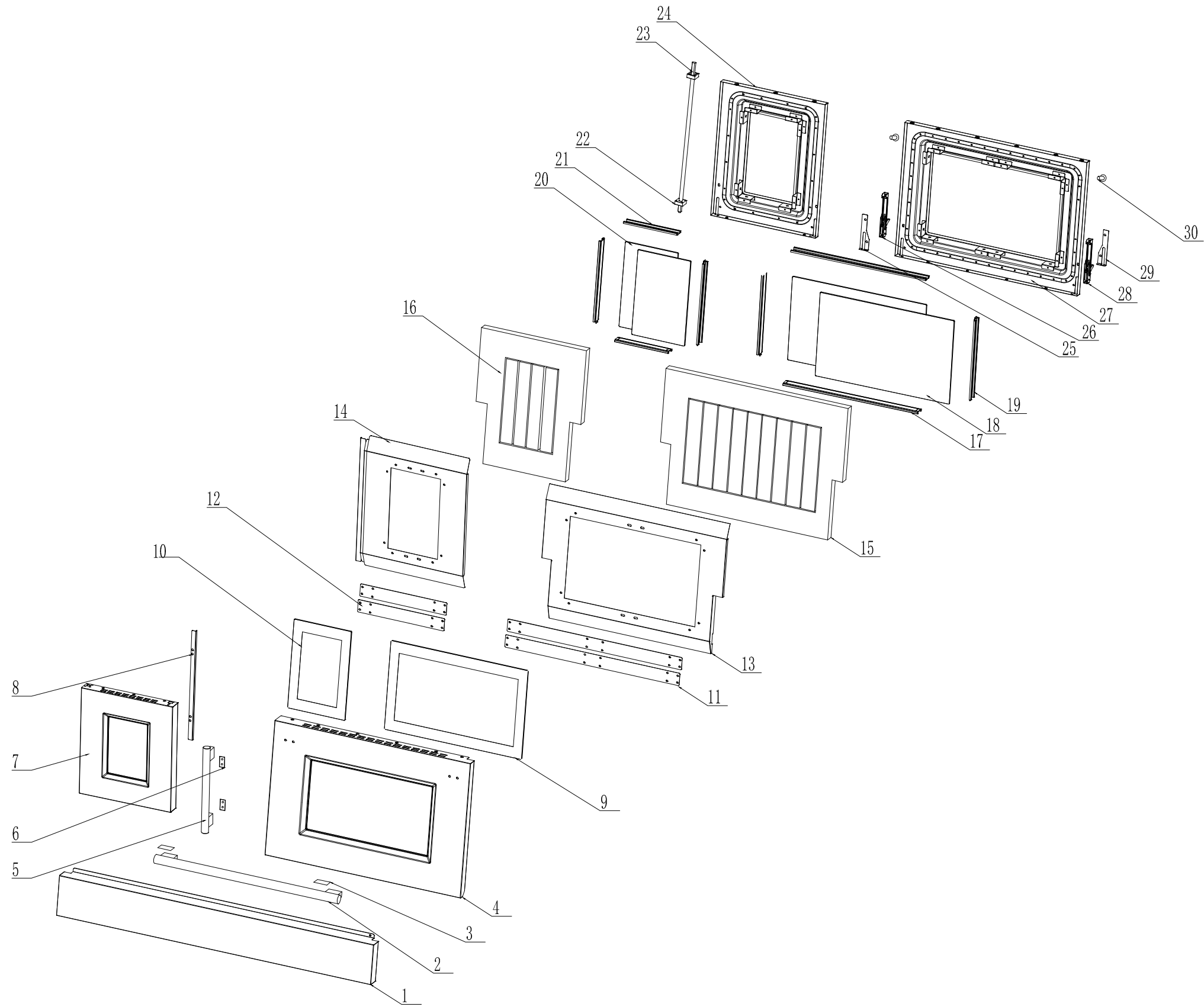
cook top



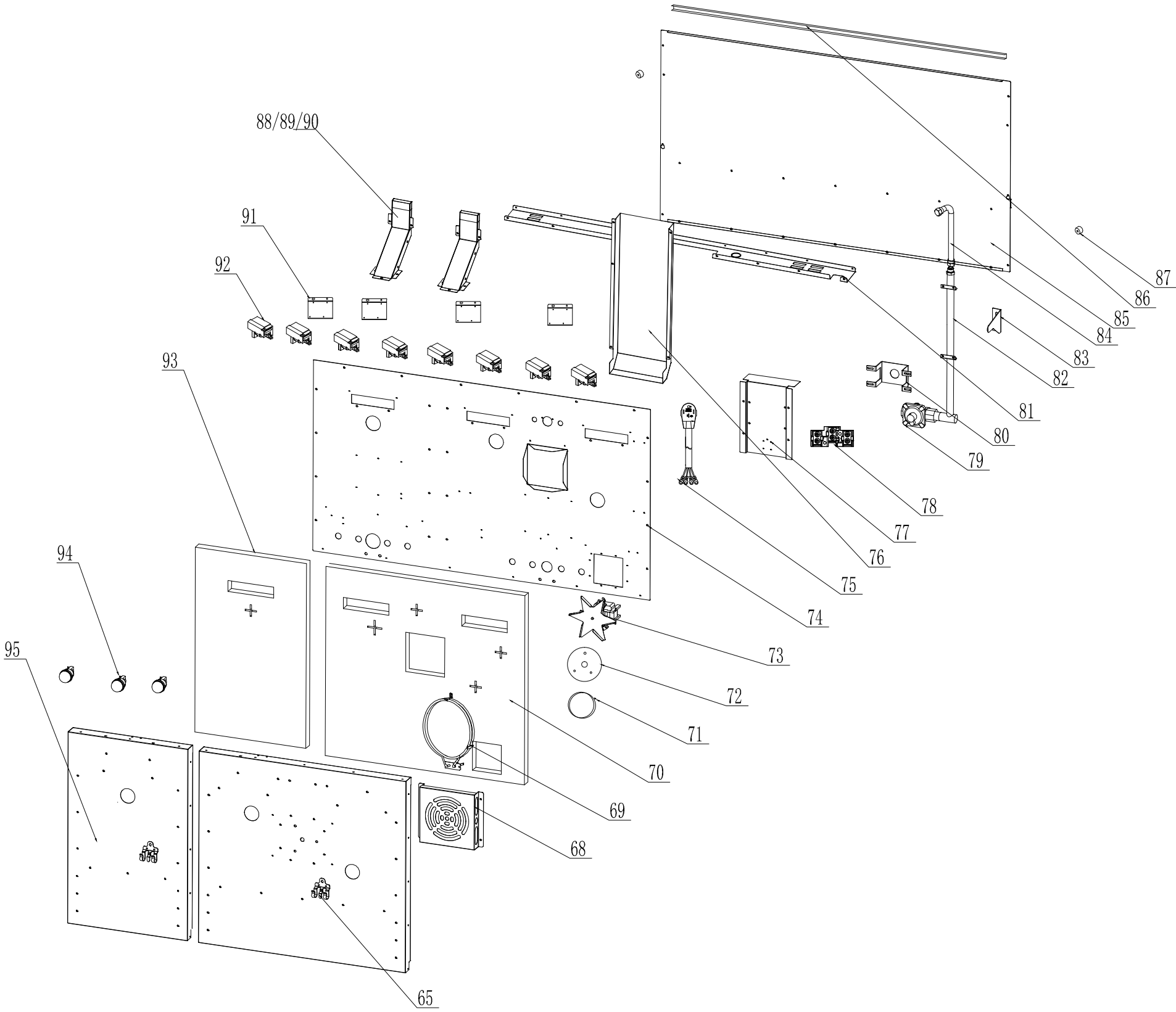
cavity top



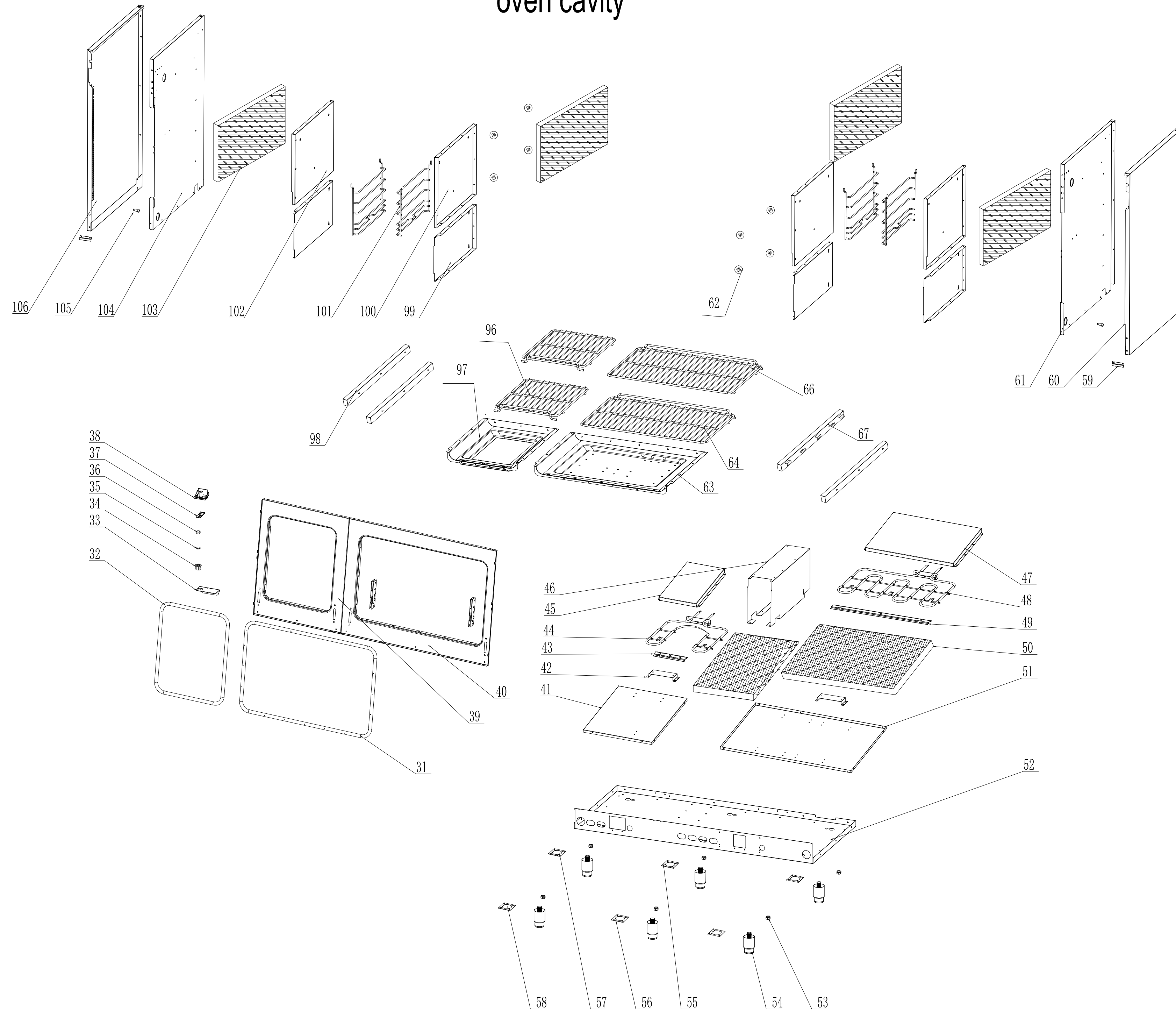
door



cavity back



oven cavity



FFSGS6325-48

No.	Material Name	Material Code	Qty.
1	Drawer panel G48R44	G48R44-120100-Z	1
2	Handle G30R04	G30R04-101900	1
3	handle rubber mat G36R03	G36R03-100700	2
4	door outside plate G48R03	G48R03-100401	1
5	Handle G18R43	G18R43-101900	1
6	handle rubber mat G18R43	G18R43-100700	2
7	door outside plate G18R43	G18R43-100401	1
8	Handle strengthen bar G36R43	G36R43-100700	1
9	door outer glass G30R03	G30R03-101100	1
10	door outer glass G18R03	G18R03-101100	1
11	door outer glass black pressing plate G30R03	G30R03-101400-02	2
12	door outer glass black pressing plate G18R03	G18R03-101400-02	2
13	door insulation plate G30X03	G30X03-101401	1
14	door insulation plate G18R43	G18R43-101400	1
15	glass wool for door G30X03	G30X03-103500	1
16	glass wool for door G18R43	G18R43-103500	1
17	30" up/down frame body for door inside glass	G30X03-101501	2
18	innder door glass G30R03	G30R03-100500	2
19	36" left/right frame body for door inside glass	G36X03-101601	4
20	innder door glass G18R03	G18R03-100500	2
21	18" up/down frame body for door inside glass	G18X03-101501	2
22	roast axis fixed mount G48R44	G48R44-002100	1
23	axis of rotation component	G18R43-110000-Z	1
24	Door frame G18R43	G18R43-100601-Z	1
25	door strengthen part left	G36X03-101003	1

26	30" door hinge L G30R03	G30R03-110000	1
27	Door frame G30R03	G30R03-100602-Z	1
28	30" door hinge R G30R03	G30R03-110010	1
29	door strengthen part right	G36X03-101002	1
30	Door rubber decoration cap	02.04.07.109000	2
31	door seal bar G48R03	G48R03-071200	1
32	door seal bar G18R03	G18R03-071200	1
33	rotate axis down support G48R43	G48R43-985600	1
34	adjustable base G36R44	G36R44-002100	1
35	cushion G36R43	G36R43-002300	1
36	rotate axis coat G48R43	G48R43-002200	1
37	door lock baffle plate component G48R43	G18R43-003400-Z	1
38	Door lock component G48R43	G48R43-111000	1
39	front panel G18R43	G18R43-070100-Z	1
40	front panel G48R03	G48R03-070100	1
41	18" drawer insulation plate-X04	C18X04-072100	1
42	cavity bottom heat element ground support C36X04	C36X04-080700	2
43	18" heat element cushion plate	C18X04-080600	2
44	18" heat element (down) 1700W	C18R05-091000	1
45	18" oil baffle plate-X04-blue enameled	C18X04-215102	1
46	oven U type burner downside plate G48X03	G48X03-070400	1
47	30" oil baffle plate-X04-blue enameled	C30X04-215102	1
48	oven bottom heat element C30R05	C30R05-091200	1
49	heat element cushion plate C30X04	C30X04-080600	1
50	30" cavity bottom plate glass wool-X01	G30X01-036000	1
51	30" drawer insulation plate-X04-DF	C30X04-072100	1
52	bottom plate G48R43	G48R43-071800	1
53	leg round fixed screw	BZ-0000000912	6

54	oven leg G60R05	G60R05-071500	6
55	back middle foot fixed part	G48R04-071812	1
56	front middle foot fixed part	G48R04-071814	1
57	back left/right foot fixed part	G48R04-071811	2
58	front left/right foot fixed part	G48R04-071813	2
59	drawer fixed plate G30R45	G30R45-120200	2
60	right outside plate	G36X01-071001	1
61	right outside plate inside component	G36X03-071104-Z	1
62	side rack protect cover G36X03	G36X03-073900	16
63	cavity down plate C30X03	C30X03-070704-Z	1
64	36" baking rack	G30R05-071902	2
65	thermo-sensor fixed board G20A01	G20A01-031100	2
66	cavity blue enameled back plate C48R05	C48R05-070300	1
67	right slid rail X01 series G36X01	G36X01-120701	4
68	fan motor cover G20H08	G20H08-091701	1
69	back heat element C20A01	C20A01-091602	1
70	cavity back plate glass wool G30X03	G30X03-072900	1
71	fan motor glass wool G36X03	G36X03-072800	1
72	fan motor baffle plate-A01 C36A01	C36A01-073100	1
73	fan motor-1 G20A01	G20A01-091501	1
74	cavity back insulation plate-DF C48R05	C48R05-072200	1
75	power cord #14	G20A14-160100	1
76	back ventilation channel C30R04	C30R04-075600	1
77	ignition support G36X03	G36X03-212300	1
78	power cord terminal E20F01	E20F01-106400	1
79	regulator G36X03	G36X03-034000	1
80	pressure adjustable valve fixed support G36X03	G36X03-034500	1
81	bottom fixed plate for baffle plate-DF C48R05	C48R05-072400	1

82	cavity back gas manifold-1 G36X03	G36X03-030801	1
83	anti-tip support X01 series G36X01	G36X01-212501	1
84	3/4" corrugated pipe 170mm	G36X03-215300	1
85	baffle plate C48R05	C48R05-072001	1
86	baffle plate strengthen part G48X03	G48X03-072300	1
87	anti-wall rubber mat G36X03	G36X03-212600	2
88	chimney outer plate C36R03	C36R03-074200	2
89	chimney inside plate C36R03	C36R03-074100	2
90	chimney fixed support C36R03	C36R03-074300	6
91	Ignition support (2) G48R03	G48R03-212300	4
92	ignition 1 to 1	G36R03-170101	8
93	cavity back plate glass wool G18X03	G18X03-072900	1
94	lamp G36X03	G36X03-180100	3
95	cavity blue enameled back plate C18R05	C18R05-070300	1
96	18" baking rack	G18R05-071902	2
97	cavity down plate C18X03	C18X03-070704-Z	1
98	slide rail L X01 series G36X01	G36X01-120700	4
99	cavity down side plate G36X03	G36X03-070400	2
100	cavity top right side blue enameled plate G36X04	G36X04-070508	2
101	side rack X01 series G36X01	G36X01-073800	4
102	cavity top left side blue enameled plate G36X04	G36X04-070509	2
103	cavity top left glass wool G36X03	G36X03-073300	6
104	left outside plate inside component G18R43	G18R43-071100-Z	1
105	screw for anti-tip step G36X03	G36X03-111000	1
106	left outside plate G48R44	G48R44-071000	1
107	18"oven bottom heat element 1700W	C18R05-091002	1
108	broil heat element (inside+outside) C36R05	C36R05-091000	1
109	heat element cushion plate-1 C36X04	C36X04-080600	1

110	front panel strip G18X03	G18X03-214500	1
111	front panel strip G30X03	G30X03-214500	1
112	18" cavity top plate component-R03	C18R03-070600-Z	1
113	30" cavity top plate component-R05	C30R05-070600-Z	1
114	48" cavity top glass wool-X03	G48X03-036000	1
115	cavity structure frame glass wool G48X03	G48X03-070800	1
116	48" cavity insulation plate-R05-DF	C48R05-074500-Z	1
117	Wind board C48R05	C48R05-075000	1
118	left side plate for wind board C48R05	C48R05-075200	1
119	right side plate for wind board C48R05	C48R05-075100	1
120	Thermo-controller 140C E24F01	E24F01-076200	2
121	Thermo-controller 50 C36R05	C36R05-076200	1
122	cooling fan fixed support C36X04	C36X04-075400	2
123	cooling fan C36R05	C36R05-200900	1
124	fan heat insulation cover C36X04	C36X04-075300	1
125	harness C48R45	C48R45-180300	1
126	plastic wire hook	G36R03-160200	5
127	knob for oven temperature setting C36R05	C36R05-030101	2
128	18" knob for oven function-R05	C36R05-030104	1
129	36" knob for oven function-R05	C36R05-030105	1
130	knob for single gas outlets G36R04	G36R04-030100	7
131	knob for double gas outlets G36R04	G36R04-030101	1
132	knob ring R04 G36R04	G36R04-030200	12
133	knob shining PCB G36R04	G36R04-031000	12
134	Round press button G36R45	G36R45-170200	1
135	LED light switch plug G36X04	G36X04-171000	1
136	Round press button G36R43	G36R43-170200	2
137	red indicator G36X03	G36X03-031000-7	2

138	control panel C48R44	C48R44-030301	1
139	rotate axis top support G48R43	G18R43-985600	1
140	Door lock component 1.8	G48R43-111001	1
141	red LED light G36X04	G36X04-031000-7	12
142	control panel body component C48R44	C48R44-032300-Z	1
143	cooktop front support plate G36X03	G36X03-022200	1
144	48" cooktop front support-R05-DF	C48R05-022100	1
145	cooktop lengthways support part	G48X04-803000	1
146	cooktop back support part G48X03	G48X03-022200	1
147	cooktop back support G48R04	G48R04-022000	1
148	Cooktop valve 0.62 G48R07	G48R07-030401	3
149	Cooktop valve 0.68 G48R07	G48R07-030403	4
150	Cooktop valve 0.68+0.27 C36R04	C36R04-030400	1
151	48" control panel gas manifold-R05	C48R05-030700	1
152	R/R Al.pipe G36R03	G36R03-020400	2
153	R/F support Al.pipe G36R03	G36R03-020600	2
154	M/L/F Al. pipe C48R03	C48R03-020300	1
155	M/L/R Al. pipe C48R03	C48R03-020200	1
156	M/F Al. pipe C36R03	C36R03-020300	1
157	M/R Al.pipe C36R03	C36R03-020200	1
158	R/F main Al. pipe G36R03	G36R03-020500	1
159	thermo-control component switch C36R05	C36R05-030900	2
160	switch 3+0 C18R05	C18R05-170800	1
161	switch 5+0 C36R05	C36R05-170800	1
162	20,000btu burner cup	G36R03-040301	1
163	20,000BTU brass burner base	G36R03-040302	1
164	20,000btu inner burner cap	G36R03-040203	1
165	20,000btu outer burner cap	G36R03-040204	1

	20,000BTU brass burner assembly	G36R03-020001	1
166	top burner spark plug 700mm G36R04	G36R04-170501	1
167	36"top burner support-short	C36R03-170600	3
168	15,000btu burner cup	G36R03-040101	4
169	15,000btu burner base	G36R03-040102	4
170	15,000btu burner cap	G36R03-040103	4
	15,000btu burner assembly	G36R03-040100	4
171	top burner spark plug 380mm G36R03	G36R03-170500	2
172	top burner spark plug 660mm G36R03	G36R03-170501	5
173	spark plug clamp	G20A01-170600	7
174	top burner support G36R03	G36R03-170600	3
175	9,000btu burner cup	G36R03-040001	3
176	9,000btu burner base	G36R03-040002	3
177	9,000btu burner cap	G36R03-040003	3
*	9,000btu burner assembly	G36R03-040000	3
178	cooktop plate decoration strip G48R04	G48R04-025000	1
179	24" cooktop plate G48R03	G48R03-020100	1
180	24" cooktop plate-1 G24R03	G24R03-020100	1
181	36"cast iron grates-R04	G36R04-021400	3
182	48"cast iron grates-R04	G48R04-021400	1
183	cooktop back connection plate G48R04	G48R04-073600	1
184	backsplash bolt G36X03	G36X03-110800	2
185	48" backsplash component-R04	G48R04-011500-Z	1
186	griddle G36R03	G36R03-021400	1
187	pan support G48R03	G48R03-021400	1
188	LED light transformer G36R04	G36R04-180305	1
189	wires for LED light transformer G36R45	G36R45-180301	1
190	48" wires for LED light-R05	C48R05-180302	1

191	wires for knob LED light	C48R45-180303	1
	door outside glass straight fixed part	G36R03-101300	4
	door outside glass L shape fixed part	G36R03-101200	8
	flat gasket	BZ-0000001016	16
	plastic rivets	G36R03-232902	24
	hinge protect part	G48X03-803500	2
	Handle strengthen bar G36R03	G36R03-100800-Z	2
	griddle + air fry kits	FAF-30	1

LP 20,000BTU burner center nozzle 0.46	G20A01-021235	1
LP 20,000BTU burner outer nozzle 0.9	G20A01-021203	2
LP 9,000BTU burner nozzle 0.93	G20A01-021222	2
LP broil nozzle 0.94	G20A01-021236	1
LP 15,000BTU nozzle 1.18	G20A01-021237	2
LP oven burner nozzle 1.39	G18X03-021207	1