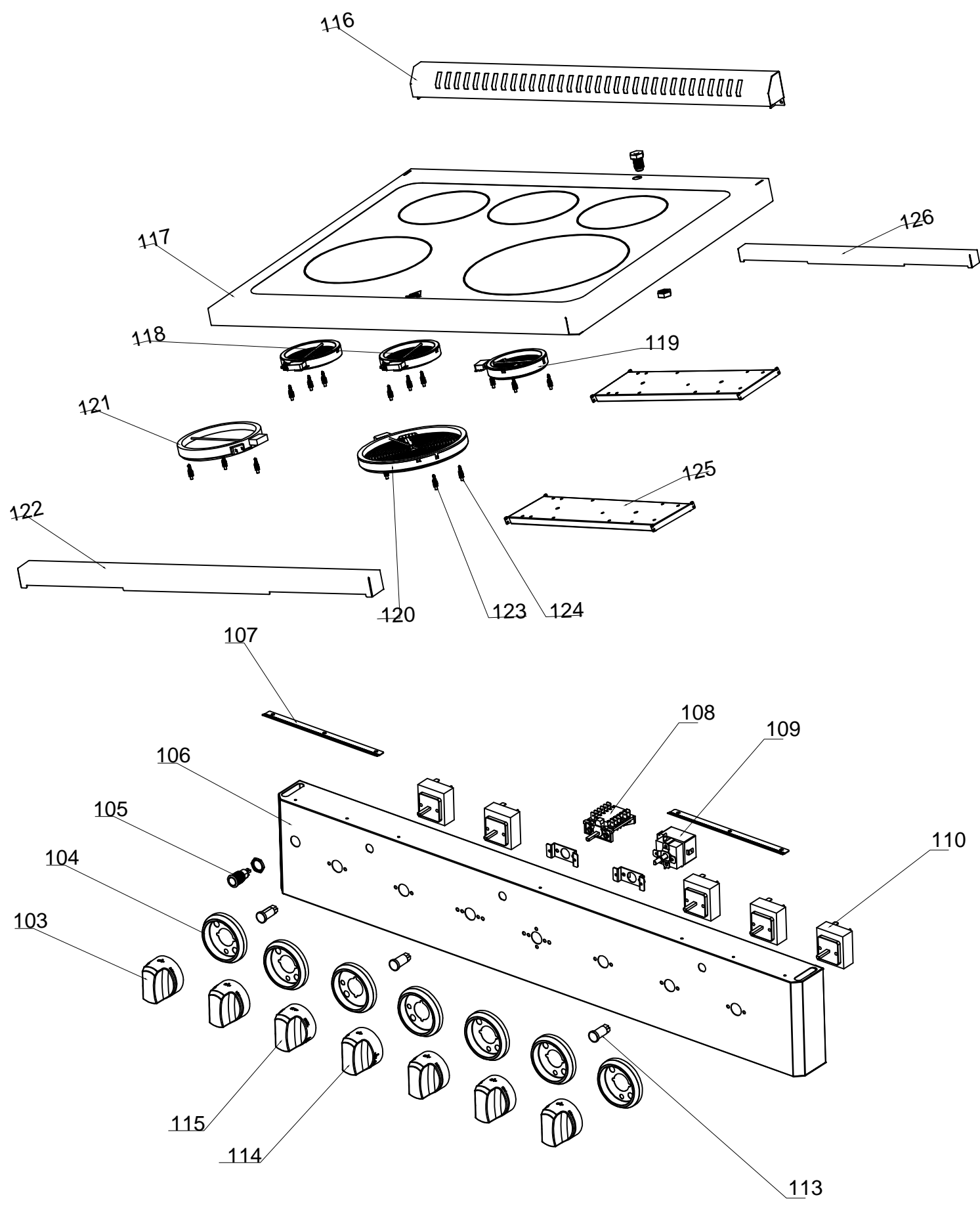
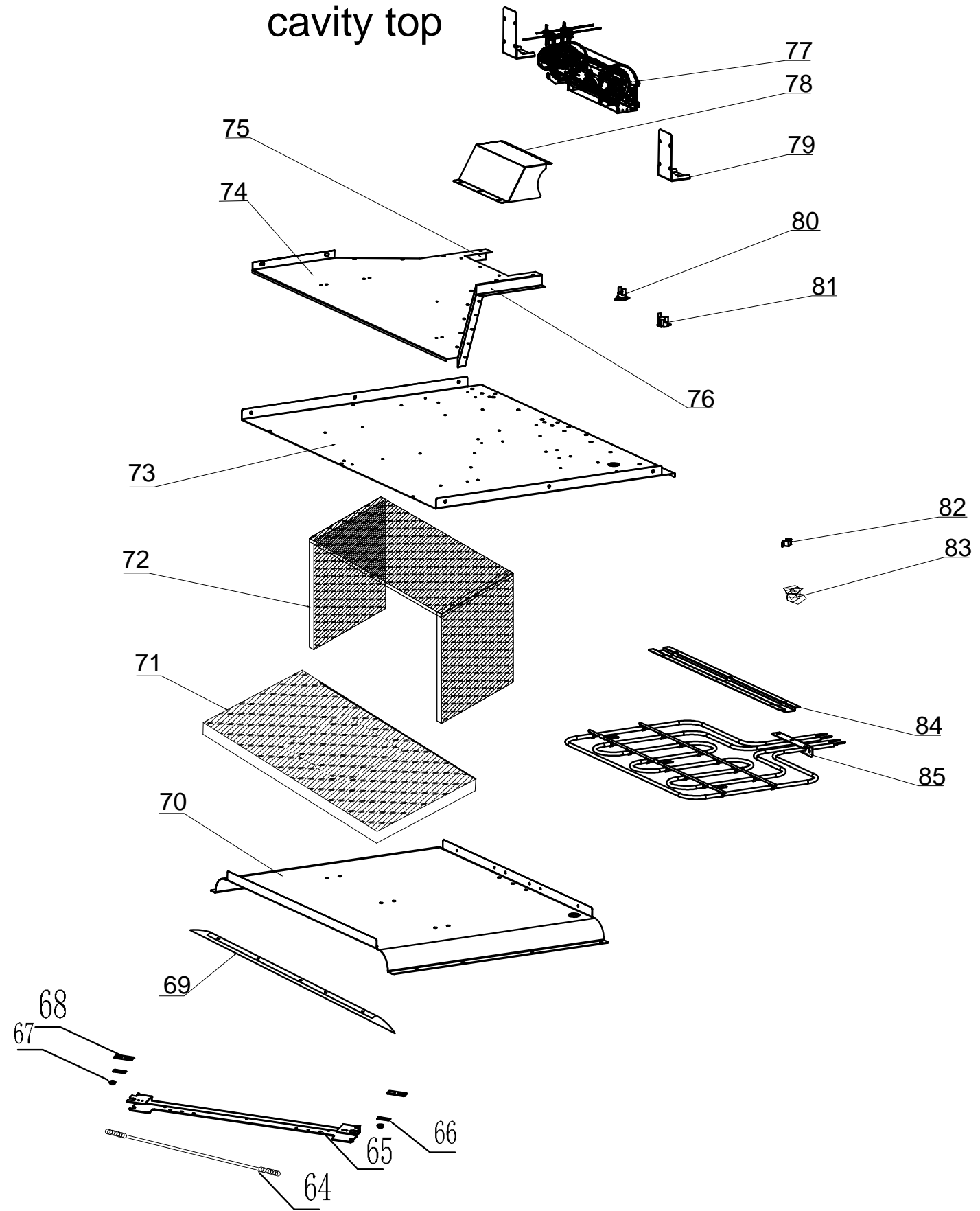


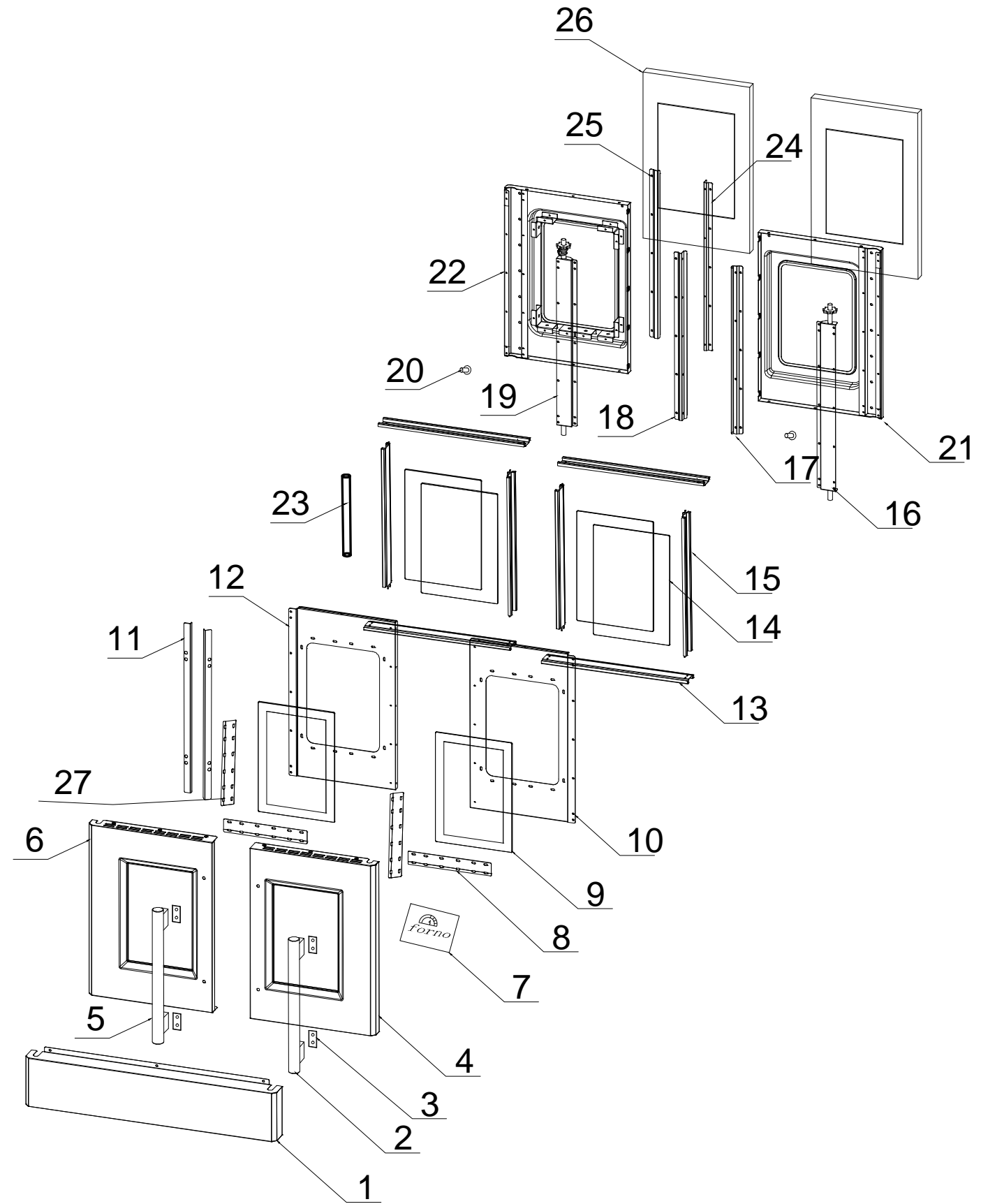
cooktop



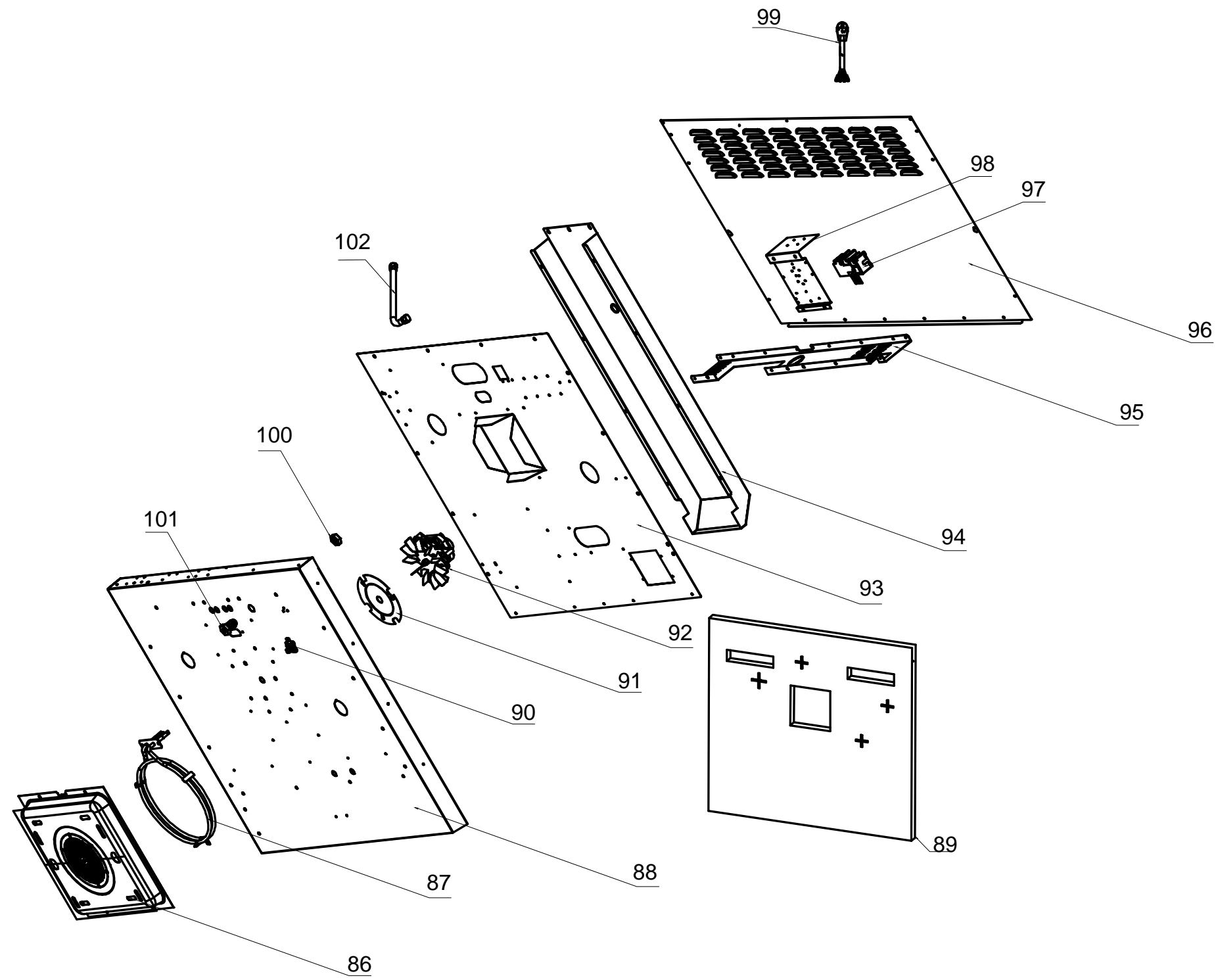
cavity top



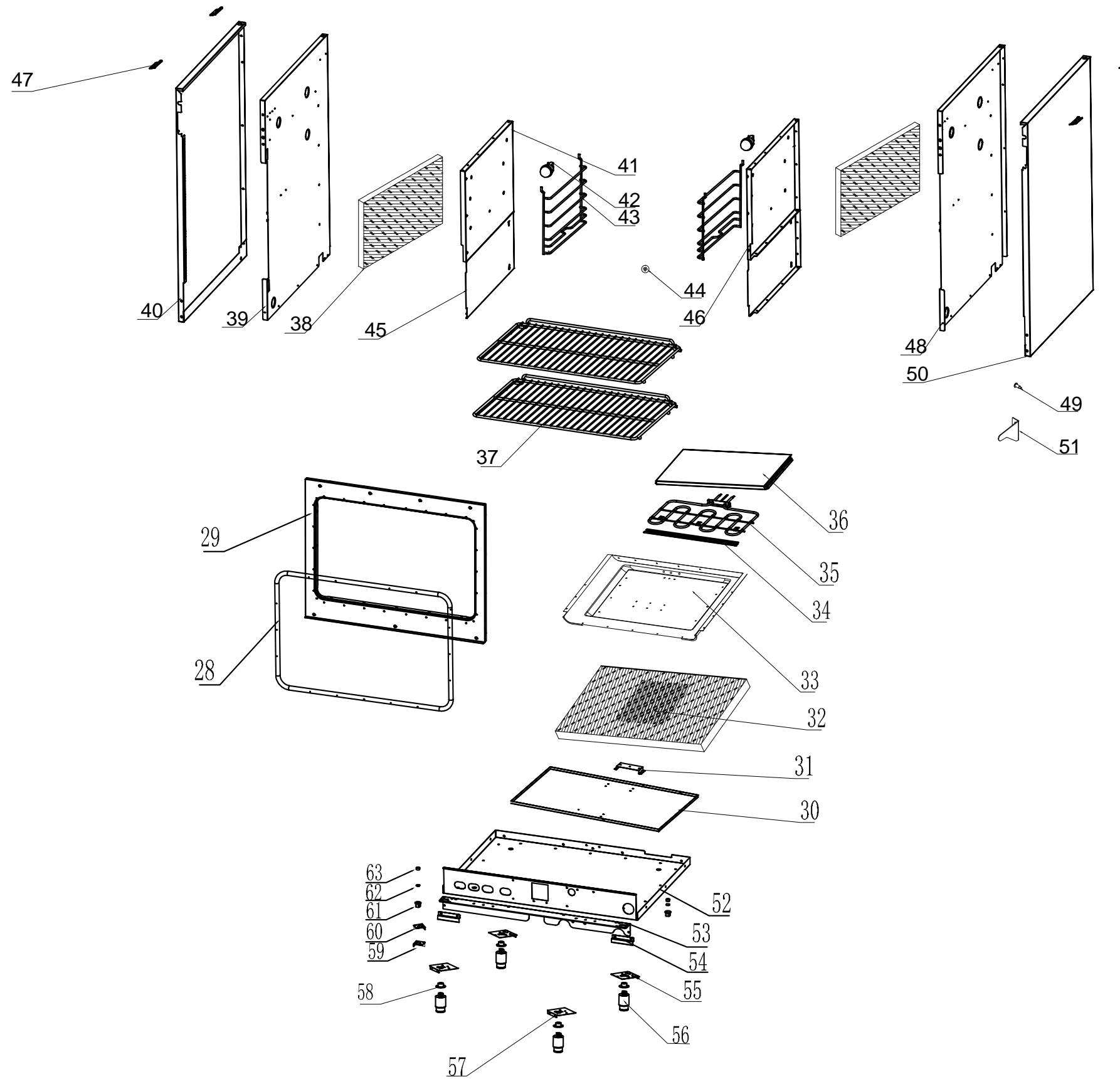
door



cavity back



oven cavity



FFSEL6917-36

NO.	Part description	Part #	QTY.
1	Drawer panel G36R43	G36R43-120100	1
2	Handle right G18R43	G18R43-101901	1
3	handle rubber mat G18R43	G18R43-100700	4
4	door outside cover component G36R43 R	0307003000011	1
5	Handle left G18R43	G18R43-101900	1
6	door outside cover component G36R43 L	0307003000010	1
7	metal logo FFSGS6244-36	G36R03-020010	1
8	door outer glass black pressing plate G36R43	G30R45-101400-02	4
9	door outer glass G36R43	G36R43-100300	2
10	door insulation plate G36R43 R	G36R43-100801	1
11	Handle strengthen bar G36R43	G36R43-100700	2
12	door insulation plate G36R43 L	G36R43-100800	1
13	inner door glass top/down stip G36R43	G36R43-101500	4
14	inner door glass G36R43	G36R43-100500	4
15	inner door glass R/L strip G36X03	G36X03-101601	4
16	axis of rotation component right G36R43	G36R43-101301-Z	1
17	supported seal part for right door G36R44	G36R44-102100	1
18	seal support for left door G36R44	G36R44-101000	1
19	axis of rotation component left G36R43	G36R43-101300-Z	1
20	drawer rubber mat G20A01	G20A01-120900	2
21	Door frame right G36R43	G36R43-100601-Z	1
22	Door frame left G36R43	G36R43-100600-Z	1
23	door seal bar G36R43	G36R43-071200	1
24	seal part for right door G36R43	G36R43-101100	1
25	supported seal part for left door G36R43	G36R43-102000	1
26	glass wool for door G36R43	G36R43-103500	2
27	door outer glass black L/R pressing plate G36R43	G36R43-101400-02	4
28	door seal bar G36R03	G36R03-071200	1
29	front plate component G36R43	G36R43-070100-Z	1
30	drawer insulation plate C36X04	C36X04-072100	1
31	cavity bottom heat element ground support C36X04	C36X04-080700	1
32	glass wool for cavity bottom plate G36X03	G36X03-036000	1
33	cavity down plate C36X03	C36X03-070703-Z	1
34	heat element cushion plate C36X04	C36X04-080600	1
35	36"oven bottom heat element C36R05	C36R05-091200	1
36	oil baffle plate C36X04	C36X04-215100	1
37	baking rack G36X03	G36X03-071900	2
38	glass wool for cavity down left upper side G36X03	G36X03-073300	2
39	left outside plate inside E30R43	E30R43-071101	1
40	left outside plate E30R43	E30R43-071000	1

41	cavity top left side plate G36X04	G36X04-070505	1
42	Lamp round G36X03	G36X03-180100	2
43	side rack G36X03	G36X03-073800	2
44	side rack protect cover G36X03	G36X03-073900	4
45	cavity downside plate G36X03	G36X03-070400	2
46	cavity top right side plate G36X04	G36X04-070504	1
47	cooktop side press part E30R03	E36R03-071300	4
48	right outside plate inside E30R43	E30R43-071100	1
49	screw for anti-tip step G36X03	G36X03-111000	1
50	right outside plate E30R43	E30R43-071001	1
51	anti-tip support G36X01	G36X01-212501	1
52	bottom plate G36R43	G36R43-071800	1
53	door downside connection plate G36R43	G36R43-985600-02	1
54	drawer fixed plate G30R43	G30R43-120200	2
55	back left/right foot fixed part G48R04	G48R04-071811	2
56	oven leg G36X03	G36X03-071500	4
57	front left/right foot fixed part G48R04	G48R04-071813	2
58	leg round fixed screw	BZ-0000000912	4
59	bottom rotate fixed part left G36R43	G36R43-032000-Z	1
60	bottom rotate fixed part right G36R43	G36R43-032001-Z	1
61	adjustable bottom base G36R43	G36R43-002100	2
62	rubber mat G36R43	G36R43-002300	2
63	rotate axis coat G48R43	G48R43-002200	2
64	chain with screw component G36R43	G36R43-110002	1
65	door topside connection plate G36R43	G36R43-022300-02	1
66	pressing plate for rotated axis G36R43	G36R43-057600	2
67	Copper bush G36R43	G36R43-130100	2
68	pressing plate for copper bush G36R43	G30R43-057600	2
69	front panel strip G36X03	G36X03-214500	1
70	cavity top plate C36R05	C36R05-070600-Z	1
71	glass wool for cavity bottom plate G36X03	G36X03-036000	1
72	glass wool for cavity structure frame G36X03	G36X03-070800	1
73	cavity insulation plate C36R43	C36R43-074500	1
74	Wind board E36R43	E36R43-075000	1
75	Left side plate for wind board C36R05	C36R05-075200	1
76	Right side plate for wind board C36R05	C36R05-075100	1
77	cooling fan C36R05	C36R05-200900	1
78	fan heat insulation cover C36X04	C36X04-075300	1
79	cooling fan fixed support C36X04	C36X04-075400	2
80	Thermo-controller 140°C E24F01	E24F01-076200	1
81	Thermo-controller 50°C C36R05	C36R05-076200	1
82	plastic wire hook G36R03	G36R03-160200	5
83	wires E36R43-180300	E36R43-180300	1
84	heat element cushion plate C36X04	C36X04-080600	1

85	broil heat element (inside+outside)	C36R05-091000	1
86	convection fan cover G20H08	G20H08-091700	1
87	back heat element	C20A01-091602	1
88	cavity back plate E36R03	E36R03-070300	1
89	glass wool for cavity back plate G36X03	G36X03-072900	1
90	thermo-sensor fixed part G20A01	G20A01-031100	1
91	fan motor baffle plate C36A01	C36A01-073100	1
92	Convection fan G20A01	G20A01-091501	1
93	cavity back insulation plate C36R05	C36R05-072200	1
94	back ventilation part C30R04	C30R04-075600	1
95	bottom fixed plate for baffle plate C36R05	C36R05-072400	1
96	baffle plate	E36R03-072001	1
97	cord terminal E20F01	E20F01-106400	1
98	safety valve big support G36X03	G36X03-076600	1
99	power cord 14#	G20A14-160100	1
100	Joint screw nut E30R03	E30R03-210510	2
101	corrugated pipe joint E30R03	E30R03-210500	2
102	5/8" corrugated pipe 300mm G20C01	G20C01-215302	1
103	knob for single gas outlet E20R08	E20R08-030100	5
104	knob ring for main gas valve G36R03	G36R03-030200	7
105	Round press button G36R43	G36R43-170200	1
106	control panel E36R43	E36R43-030300	1
107	cooktop front pressing plate E30R03	E36R03-023400	2
108	switch 5+0 C36R05	C36R05-170800	1
109	thermo-control component switch C36R05	C36R05-030900	1
110	Cooktop switch E24F01	E24F01-031600	5
111	switch support E30R03	E30R03-031200	2
113	red indicator G36X03	G36X03-031000-7	3
114	36" knob C36R03	C36R03-030105	1
115	knob C36R03	C36R03-030101	1
116	backsplash board E36R03	E36R03-011500-Z	1
117	ceramic cooktop comonent E36R03	E36R03-020000	1
118	Radiant burner 100W E30R03	E30R03-022300	1
119	Radiant burner 1200W E20R08	E20R08-022300	2
120	Radiant burner 3000W single ring E30R03	E30R03-022500	1
121	Radiant burner 2200W single ring E30R03	E30R03-022400	1
122	cooktop front strengthen part E36R03	E36R03-025000	1
123	radiant burner spring E24F08	E24F08-026100	15
124	radiant burner bolt E24R10	E24R10-025100	15
125	front beam E36R03	E36R03-024100	1
126	cooktop back strengthen part E36R03	E36R03-025001	1
127	back beam E36R03	E36R03-024101	1