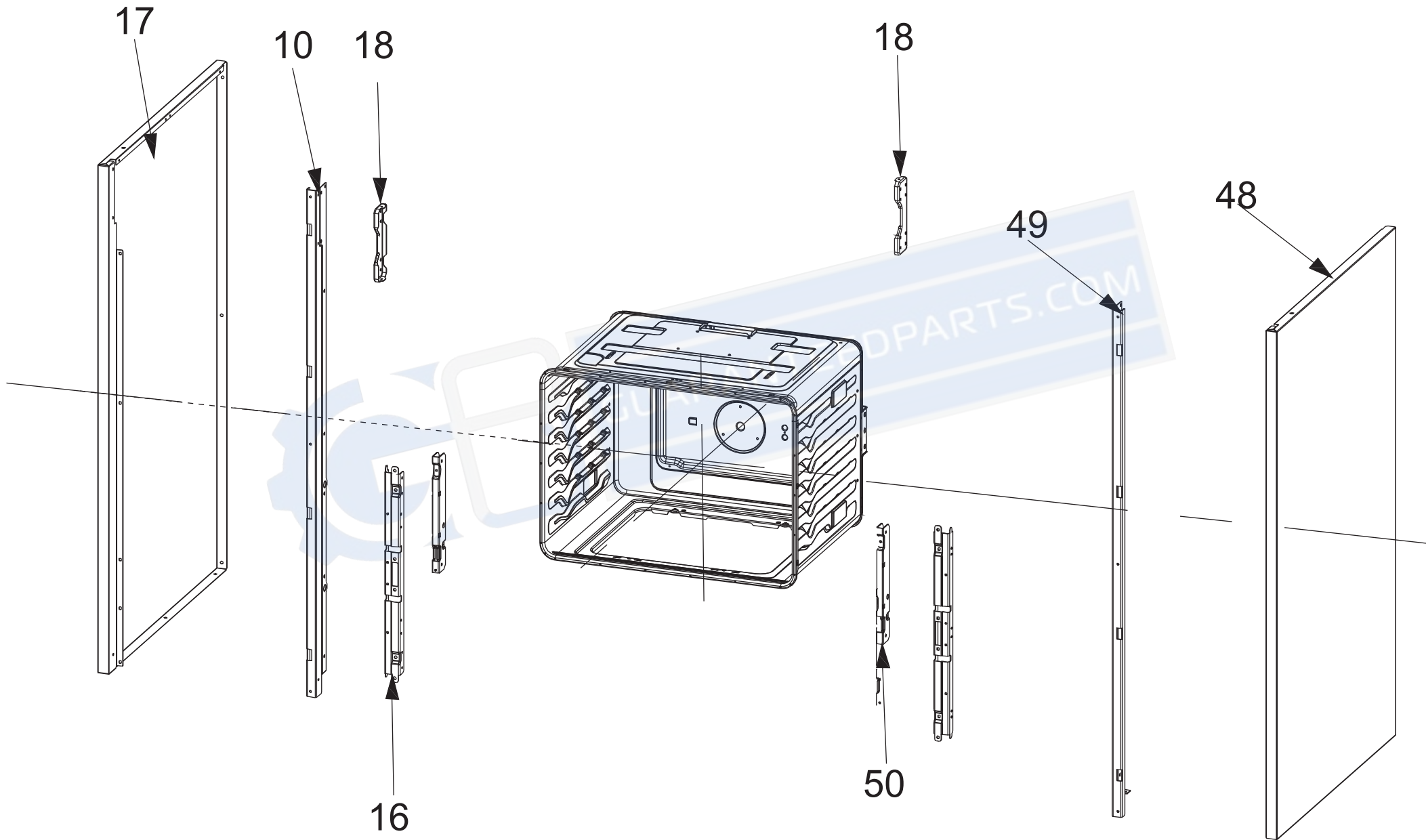
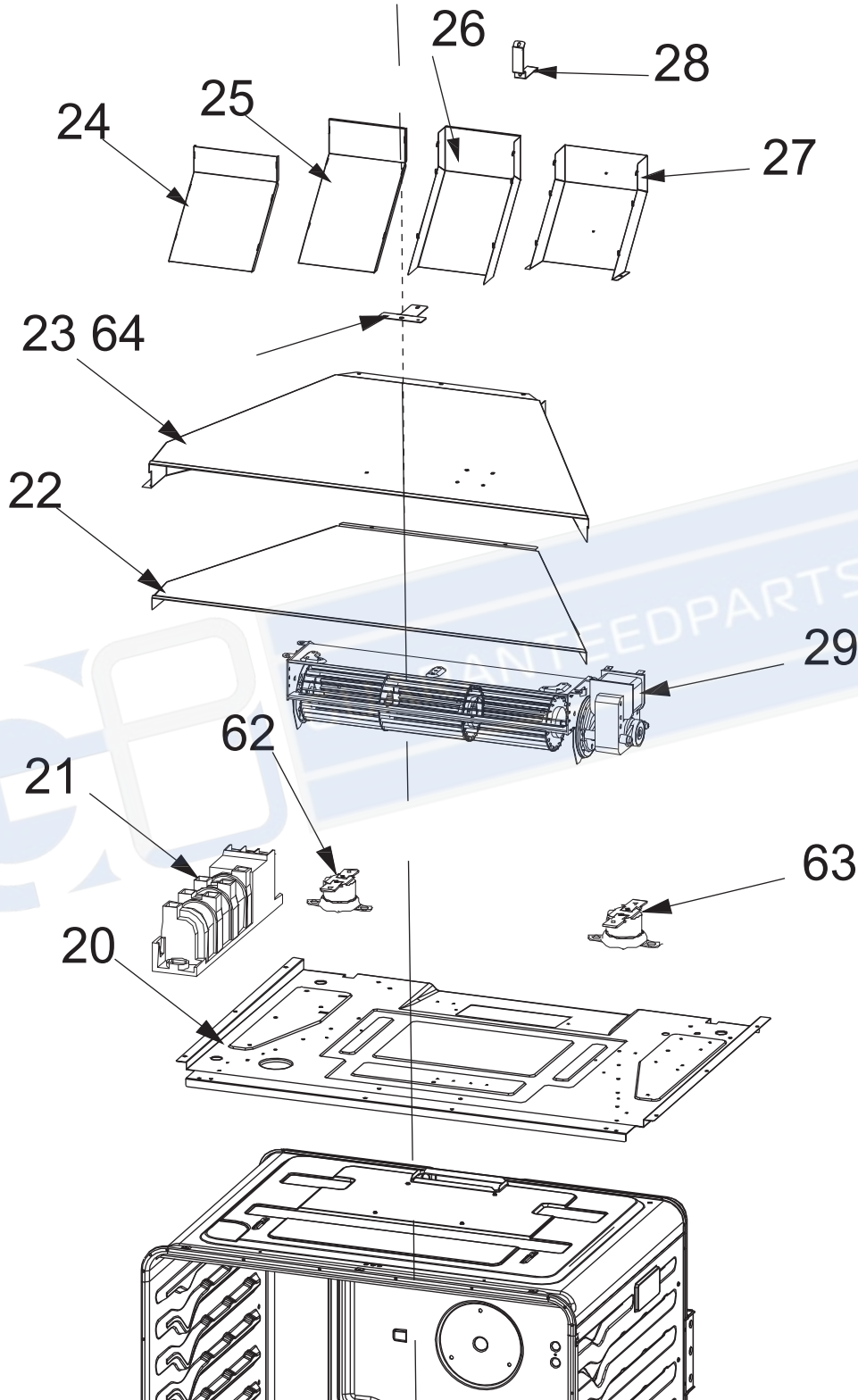




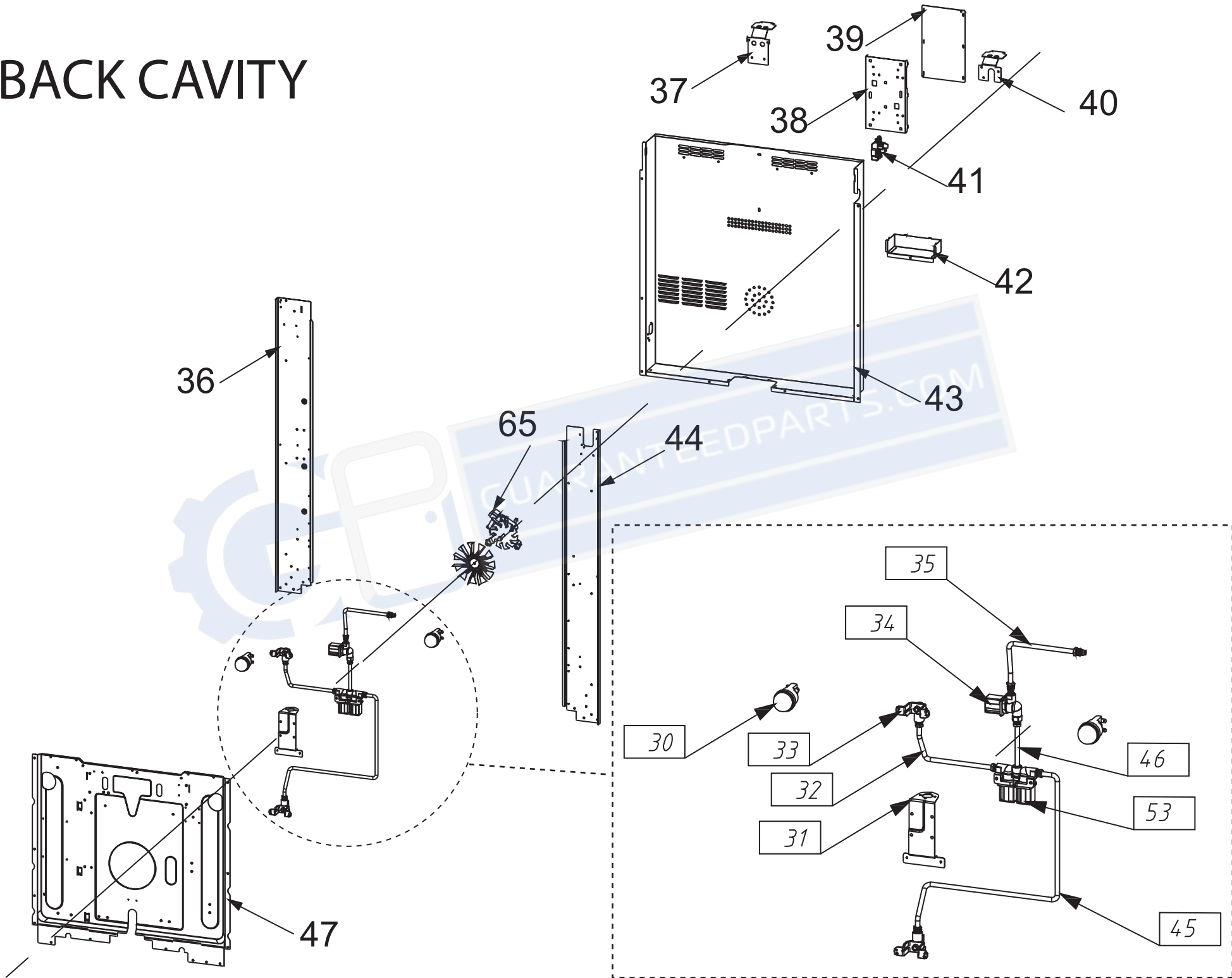
# SIDE CAVITY



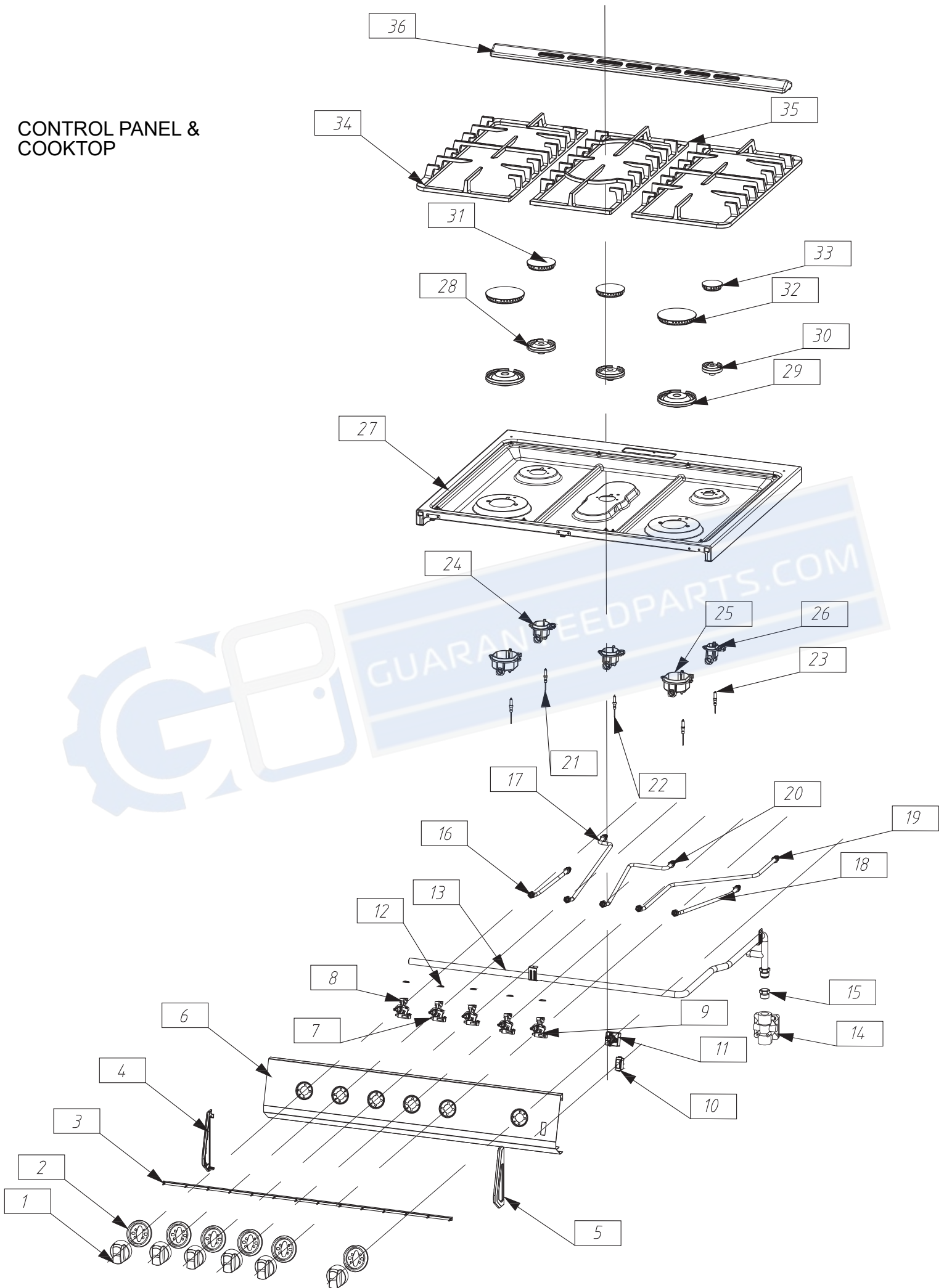
# TOP CAVITY



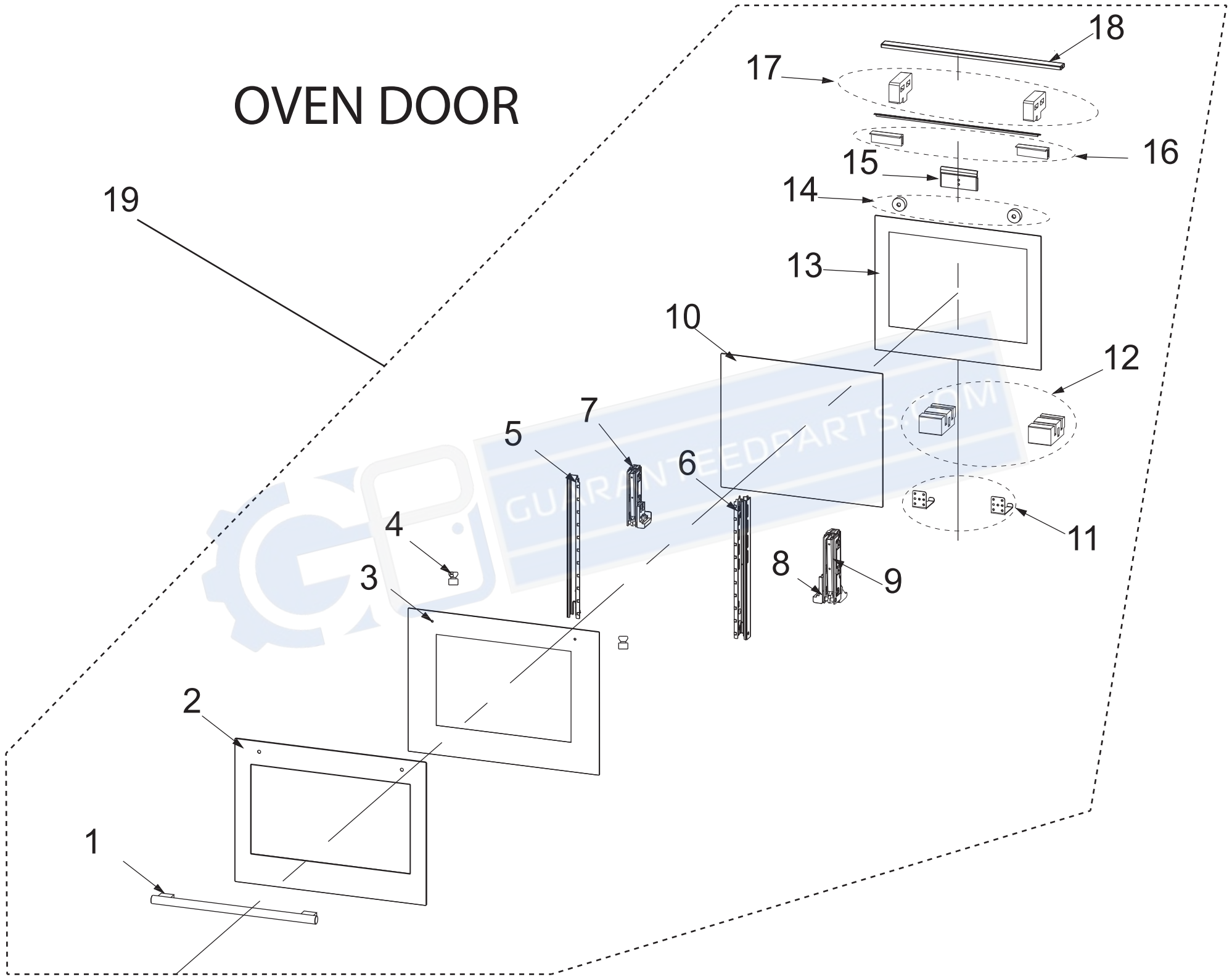
# BACK CAVITY



CONTROL PANEL &  
COOKTOP



# OVEN DOOR



**List of Oven Parts**

I.D. NO.	Part Number	Part name	QTY.	Descriptions
1	30306400041	Stainless Steel Kickplate	1	lower plate, K30B(GJF), n.d., 430, 0.5mm
3	200500040 2	Door Seal	1	Door seal, Freestanding oven door seal kit, K30, fiberglass + stainless steel buckle (ø13*0.15), with door seal mounting holes for liner panel
3	30302900238	Oven fixing plate suction duct baffle fixing plate	1	Oven fixing plate, K30, suction duct baffle fixing plate, galvanized sheet, 0.7mm, non-self-cleaning
4	30315000484	Oven Cavity Front Panel	1	Cavity panel, K30(GSF), BTC1, 0.6mm, black matte spray, no
5	30316200006	Oven Cavity Front Upper Plate	1	Oven plate, K30, black matte spray, BTC1, 0.7mm, suction duct plate
6	30303900032	Burner Cover Plate	1	Burner baffle plate, K30(GSF), burner cover plate, black enamel (both sides), BTC1, 0.5mm, universal G3 platform
7	30400100002	Rack chrome plated	1	Rack, K21A, chrome plated, ø3.5-ø6.5-ø6.8 steel wires, no
8	30304200002	Grease Tray	1	Grease tray, K1, S marked, with removable liner, black enameled, BTC1, 0.6mm, 21mm-shallow
9	30201600011	Non-slip feet	1	Non-slip feet, silicone rubber, total height 47.5 mm, black, nuts (2 pcs.), F7 (50SFEH4B)
10	30302400005	Left Side Panel Support Bracket	1	Shell Left/Right Bracket,K30,Left,Side Panel Support Bracket
*11*	2041900007	Broil Burner Assembly	1	Top Fire Row Assembly, K30B, North America, Long, Flat Tube, (415mm), Aluminum Plate, 0.6mm, with New Ion Probes
11	30401500031	Broil Burner Tube Assembly	1	Combustion Tube Assembly, K30(GSF), Aluminum Plate, 0.5mm, Upper Burner Assembly
12	30301300019	Ignitor heat shield	2	Heat shield, K30(GSF), 304 stainless steel, 0.7mm, igniter heat shield
13	30302900231	Ignitor fixing plate	2	Oven fixing plate, full range, none, 304 stainless steel, 1mm, upper fire row silicon nitride, ionized carbon rods
14	30108000003	Oven burner igniter	2	Igniter, K30(GSF), AC120V/280W, Silicon Nitride
15	30316200073	Broil burner reflector	1	Oven Flap, K30(GSF), None, Aluminum Plate, 0.6mm, Upper Burner Flame Retarder, Long
16	30302600037	Hinge mounting plate	2	Hinge mounting plate, K30(GSF), hinge mounting bracket, galvanized sheet, 1mm, universal for left and right side
17	30302900308	Control panel fixing blok	2	Oven fixing plate, K30B(GJF), switch plate fixing block (left and right universal)

18	2040900141	Left Side Panel Assembly - Black	1	Freestanding Oven Side Panel Assembly, K30B(GJF), SPCC, 0.5mm, Left, Black Flash Blasted
19	2040700287	Oven Cavity Assembly	1	Freestanding Oven Liner Assembly,K30(GSF),Gas Oven,Black Enamel,BTC1,Single Cycle Motor,Double Round Lamp,0.6mm,One Shot,None,Without Food Probe Holes,Without Door Seal Mounting Holes
20	30301800031	Exhaust flue base plate	1	Exhaust flue base plate, K30(GSF), galvanized sheet, 0.7mm, gas oven
21	30102300034	Pulse Igniter, 5 Eye, 110V-240V, DST2010-506B	1	Pulse Ignitor, 958, 5 Eye, 110V-240V North America, DST2010-506B
22	30312600037	Flue center cover plate	1	Flue cover, K30(GJF), galvanized sheet, 0.4mm, non-self-cleaning, center cover
23	30312600038	Flue top cover plate	1	Flue cover, K30(GJF), galvanized sheet, 0.4mm, non-self-cleaning, top cover
24	30313400022	Upper plate of exhaust flue	1	Exhaust top/bottom cover, K30(GSF), galvanized sheet, 0.4mm, upper pressure plate of exhaust flue
25	30313400020	Upper plate of exhaust pipe	1	Upper/lower cover plate of exhaust pipe, K30(GSF), galvanized sheet, 0.4mm, upper plate of exhaust pipe
26	30313400021	Lower plate of exhaust pipe	1	Upper/lower cover plate of exhaust pipe, K30(GSF), galvanized sheet, 0.4mm, lower plate of exhaust pipe
27	30313400023	Lower plate of exhaust flue	1	Exhaust top/bottom cover, K30(GSF), galvanized sheet, 0.4mm, exhaust flue lower pressure plate
28	30302900270	Rear cover support	1	Oven fixing plate, K30(GSF), without, galvanized sheet, 1 mm, rear cover support
29	30100400074	Cooling fan assembly	1	Cooling Fan Assembly,K30,110V-120V,60Hz,44W,1800r/min,Dual Exhaust,ADMS-12
30	30101000013	Round lamp assembly	2	Round Lamp Assembly,K1,120V,G9,300°C,short inline
31	30204600002	Solenoid valve mounting bracket	1	Solenoid valve mounting bracket, universal for all North American gas ovens, galvanized sheet, 1mm, with silicon nitride ignition system
32	30402001000	Aluminum Tube - Valve to broiler	1	Aluminum tube, K30(GSF), $\Phi$ 8x1, upper burner
33	30313300041	Oven Burner (BROIL & BAKE) nozzle mounting block	1	Oven Mounts, Full Series, Aluminum, Nozzle Mounts, with North American Burner Tubes
34	30103400008	Solenoid Valve - AC5V/60mA, single valve, with wiring	1	Solenoid valve, K30(GSF), DC5V/60mA, single valve, with wiring, silent solenoid valve

35	30402000999	Aluminum Tube - solenoid master valve	1	Aluminum tube, K30(GSF), $\Phi$ 8x1, solenoid master valve
36	30302500005	Left bracket of inner chamber	1	Left and right bracket of inner chamber, K30SFF, left
37	30313300001	Rear fixing block left side	1	Oven fixing block, K30, panel rear fixing block
38	30302900229	Power board fixing plate	1	Oven fixing plate, full range, no, galvanized sheet, 0.5mm, power strip fixing plate
39	30101500268	power supply board	1	Power Supply Board,K30(GSF),UL Listed,LED Touch Oven Non-Self-Cleaning Oven and Coded Switch Oven with Silent Solenoid Valve,Silicon Nitride Ignition System,Riley Tech
40	30313300048	Rear fixing block right side	1	Oven fixing block, K30(GSF), galvanized sheet, 2 mm, panel rear fixing block
41	30102600004	junction box	1	Junction Box,LF640,13A,KADO K 2/3EE,1.5mm"
42	30316200099	External rear cover with fixing base for lower exhaust	1	Oven baffle, K30(GSF), n.d., galvanized sheet, 0.5mm, rear cover baffle, external rear cover with fixing base for lower grill plate
43	30302200166	Oven back cover	1	Shell back cover, K30(GSF), galvanized sheet, gas, 0.5mm, PA299, 2/3 junction box, perforated, for North America, lower fire-plug holder external
44	30302500006	Right bracket of inner chamber	1	Inner chamber left and right bracket, K30SFF, right
45	30402001001	Aluminum Tube - Bake Burner	1	Aluminum tube, K30(GSF), $\Phi$ 8x1, under burner
46	30402000997	Aluminum Tube - Solenoid valve connection	1	Aluminum tube, universal, $\Phi$ 8x1, solenoid valve connection aluminum tube, silicon nitride ignition system
47	30301500004	Rear insulation plate oven cavity	1	Rear rack for liner, K30SFF
48	40900142	Right Side Panel Assembly - Black	1	Freestanding Oven Side Panel Assembly, K30B(GJF), SPCC, 0.5mm, Right, Black Flash Blasted
49	30302400006	Right Side Panel Support Bracket	1	Shell Left/Right Bracket,K30,Right,Side Panel Support Bracket
50	30302600003	Hinge mounting plate	2	Hinge Mounting Plate,K21A,After Plating,65Mn,1.5mm,Universal
51	30313300039	Lower burner nozzle holder bracket	1	Oven fixing block, K30(GSF), galvanized sheet, 0.4 mm, lower burner nozzle holder bracket
52	30303900031	Bake burner reflector	1	Burner baffle, k30(GSF), lower burner baffle, n/a, n/a, aluminized plate, 0.6mm, silicon nitride ignition system
53	30103400009	Solenoid 3-way valve, with wiring	1	Solenoid valve, K30(GSF), DC5V/60mA, 3-way valve, with wiring, silent solenoid valve
54*	2042000005	Bake Burner Assembly	1	Lower Fire Row Assembly, K30B/F96, North America, Long, Flat Tube, (415mm), Aluminum Plate, 0.6mm, With New Ion Probe

54	30401500032	Bake Burner tube	1	Burner Tube Assembly, F96/K30, Long, Flat Tube, North American Lower Burner Assembly (415mm), Aluminum Plate, 0.6mm
55	30302900271	Bake burner fixing bracket	1	Oven fixing plate, K30(GSF), n.d., galvanized sheet, 0.4mm, domestic lower burner fixing bracket
30302700162		Oven connection plate 56	2	Oven connection plate, K30(GSF), without, galvanized sheet, 1.0mm, left and right side panel connection plate
30313200090		Oven Stand Plate 57	2	Oven stand, K30(GSF), galvanized sheet, 1.5mm, bottom bracket, without
30304000016		Bake Burner Chamber Plate 58	1	Burner fixing plate, K30 (GSF), galvanized sheet, 0.5 mm, with silicon nitride ignition system
30307800016	59	Oven Cavity Lower Insulation Plate	1	Inner compartment baffle, K30(GSF), galvanized sheet, 0.4mm, storage compartment divider
60	30401800131	Thermocouple Broil Burner	1	Thermocouple, Ion Carbon Rod Assembly, Upper Burner, Conventional Gas Oven, F66/F96/K30, w/wiresd 4.8 insert spring, n/a, w/ Silicon Nitride Ignition System
61	30401800132	Thermocouple Bake Burner	1	Thermocouple, Ion Carbon Rod Assembly, Lower Burner, Conventional Gas Oven, F66/F96/K30, w/wiresd 6.3 insert spring, n/a, w/ Silicon Nitride Ignition System
30100700030	62	Auto Reset Thermal Protector 120°C - for oven	1	Thermal Protector,120°C,Auto Reset,UL Listed,250V,16A,6.3 Inserts
63	30100800005	Thermal Thermostat 45°C - for cooling fan	1	Thermal Thermostat,250V,16A,6.3 Blade(Bend),45°C,UL approved
30313300071	64	Top cover fixing block	1	Oven fixing block, K30B, galvanized sheet t1.0, non-self-cleaning top cover fixing block
30100300067	65	Convection fan assembly	1	Circulation fan assembly, K21A, 110-120V, 33W, 11 pieces, φ127mm, 1660r/min, MZ-6120X3-H016, ADMX-04, mounting lowered by 2mm

**List of Control Panel and Cooktop Parts**

I.D. NO.	Part Number	Part name	QTY.	Descriptions
19	2040200783	Stainless Steel Door Assembly	1	Freestanding Oven Flap Assembly, K30B(GJF), No. 97, fully uncoated, fully clad with decorative panels (CTM), 430 stainless steel, 3-panel, sheet metal bending pull-out door, black matte spray, plain, n.e.c., 565mm

1.1	30400700297	Handle STAINLESS STEEL	1	Handle, No. 97, detachable, clear lacquer, aluminum alloy+304 stainless steel, 565mm, metal color
1.2	30400700298	Handle Antique Brass	1	Handle, No. 97, detachable, clear lacquer, aluminum alloy+304 stainless steel, 565mm, bronze
2	30307900163	Stainless Steel Door Panel Decorative Strip	1	Decorative Strip, Full Wrap Edge, 565mm, Window Size 632.8*353.7-116, For CTM Canada
3	30500201175	Door Panel Glass	1	Door Panel Glass, K21A, 565mm, None, Not Coated, 4mm, Tempered Glass, Black, Window Size 533.5*357.7-113.3
4	30313300065	Oven fixing block	2	Oven fixing block, No. 89, iron bar, removable handle (new construction)
5	30303400193	left black matte plastic spraying	1	Door frame left/right bracket, left, K21A, black matte plastic spraying
6	30303400194	right black matte plastic spraying	1	Door frame left/right bracket, right, K21A, black matte plastic spraying
7	30200900018	Lower Left Inside Glass Mounting Block	1	Inside Glass Mounting Block, Flame Retardant Nylon, Lower Left, F546SGF
8	30200900019	Lower Right Inside Glass Mounting Block	1	Inside Glass Mounting Block, Flame Retardant Nylon, Lower Right, F546SGF
9	30400600055	Hinges	2	Hinges, No. 21, for North American 30-inch Series Oven Triple Glazed Sheet Metal Sliding Door, Universal
10	30500300088	Middle Glass	1	Center Glass, K21, Uncoated, Tempered Glass, 4mm, 640.6mmX525.6mm
11	30303700002	Middle Glass Plastic Limit Block	2	Intermediate glass limit block, K21A, black matte plastic spraying
12	30201000008	Middle Glass Lower Silicone Rubber	2	Intermediate glass fixing block, silicone rubber, K28JSP, lower pads
13	30500400155	Inner Tempered Glass	1	Inner Glass, K21A, Uncoated, Ordinary Tempered Glass, 4mm, Black, None
14	30201400005	Handle Washers	2	Handle Washer, K1, PA66
15	30303600001	Handle fixing plate	1	Handle plate, K13, black matte plastic spraying
16	30201200006	Inner Glass Silicone Rubber	0.01	Intermediate Glass Insert, Silicone Rubber 30mm, 30" Oven
17	30201000003	Middle Glass Silicone Rubber Block	2	Center glass mounting block, silicone rubber, K21A
18	30303500102	Upper door bracket	1	Upper door bracket, K21A, black matte plastic spraying

**List of Control Panel and Cooktop Parts**

I.D. NO.	Part Number	Part name	QTY.	Descriptions
----------	-------------	-----------	------	--------------

1.1	30402500451	knobs - Cooktop Burner Control Stainless Steel	5 Knob, No. 127 - Gas Cooktop (Gas Oven), with Silk Screen, 30" Beveled Basic, Electroplated, Zinc Alloy, Stainless Steel, Natural Color, For CTM Canada
1.2	30402500529	knobs - Thermostat Stainless Steel	Knob, #127 - Temperature Control Switch (Gas Oven) Silicon Nitride Ignition with 1 Silk Screen, 30" Beveled Basic, Electroplated, Zinc Alloy, Stainless Steel Natural, For CTM Canada
2	30402500464	Knob Base STAINLESS STEEL	6 Knob base, #127, plated, unsilk screened, zinc alloy, stainless steel natural color, with #127 knob, for CTM Canada
3	30215300008	Cooktop rubber sealing strip	1 Rubber Insert,K30B(GJF),Silicone Rubber,Black,Stove Panel Sealing Strip
4	30216300014	Black left cover of control panel	1 Panel Left/Right Side Panel,AD-K30B(GJF),ppt,Black,Left,Switch Plate Left Fixed Block,Switch Plate Left Inlay
5	30216300015	Black right cover of control panel	1 Panel Left/Right Side Panel,AD-K30B(GJF),ppt,Black,Right,Switch Plate Right Fixed Block,Switch Plate Right Inlay
*6*	2040300531	Stainless Steel Control Panel Assembly	1 Freestanding Oven Switch Plate Assembly,K30B(GJF),without timer+5-eye+single-eye gas oven+warp switch,Stainless steel switch plate+Right and left black inserts
6	30305900520	Stainless Steel Control Panel	1 Switch plate,K30B(GJF),removable,five eyes+single eye gas oven,no timer hole,no indicator hole,with rocker switch hole,430 stainless steel,0.7mm
7	30403100214	Burner valve for 6,000 BTU burner (Left Rear & Center)	Stove Valve Body, Evergreen, 48 in. Downward pressure ignition, no, without 2 extinguish, no, 210 degrees, single control aluminum valve, $\Phi$ 0.35, with switch plate fixed column, North American standard
8	30403100215	Burner valve for 12,000 BTU burner (Left Front & Right Front)	Stove Valve Body, Evergreen, 48 inches, Strong Electricity, Downward Pressure 2 Ignition, None, Without Extinguish, None, 210 Degrees, Single Control Aluminum Valve, $\Phi$ 0.44, With Switch Plate Fixed Column, North American Standard
9	30403100213	Burner valve for 3,500 BTU burner (Right Rear)	Stove valve body, Evergreen, 48 inches, strong electricity, downward pressure 1 ignition, no, without extinguish, no, 210 degrees, single-control aluminum valve, $\Phi$ 0.29, with switch plate fixed column, North American standard
10	30100500082	Oven Light Rocker Switct	1 Gear Switch,K30B,Rocker Switch,All Black,Model:KCD8-1C No Light Black 0-

11	30105700025	Thermostat Switch	1	Encoder switch assembly, K30, gas, colorless, thermostat switch, North American full gas oven, stem lowered 2mm
12	30300100030	Valve Clamping	6	Clamping, F96, galvanized sheet metal, small clamps
13	30401900371	Main gas manifold	1	Intake Pipe,K30B(GJF),No Timer,With Rocker Switch,With Screws,Aluminum Plated,Single Side Intake,Silicon Nitride Ignition System
14	30402200001	Regulator Copper Bushing	1	Air inlet elbow, copper alloy, outer G1/2 to outer Z1/2
15	30402300015	Pressure Regulator Valve 15	1	Pressure Reducing Valve, Wright-North America, None, Model No. JY120NP, Outlet Pressure: 4 "WC, 10 "WC
16	30402001465	Aluminum Tube - Front Left Burner	1	Aluminum tube, K30B(GJF), 1, $\phi 8*1$ aluminum tube, domestic without valve body, no timer, with rocker switch, left front M center
17	30402001466	Aluminum Tube - Rear Left Burner	1	Aluminum tube, K30B(GJF), 2, $\phi 8*1$ aluminum tube, domestic without shut-off valve body, no timer, with rocker switch, left rear semi rapid burner head
18	30402001469	Aluminum Tube - Front Right Burner	1	Aluminum tube, K30B(GJF),5, $\phi 8*1$ aluminum tube, domestic without shut-off valve body, no timer, with rocker switch, right front center stove head
19	30402001468	Aluminum Tube - Rear Right Burner	1	Aluminum tube, K30B(GJF),4, $\phi 8*1$ aluminum tube, domestic without shut-off valve body, no timer, with rocker switch, right rear auxiliary burnerhead
20	30402001467	Aluminum Tube - Center Burner	1	Aluminum tube, K30B(GJF),3, $\phi 8*1$ aluminum tube, domestic without shut-off valve body, no timer, with a rocker switch, centered on the semi rapid burner head
21	30402400003	Ignition Needle - 350 mm	1	Ignition Pin, 403A, semi rapid burner, SABAF, 350mm
22	30402400004	Ignition Needle - 500 mm	2	Ignition Needle, 403A, semi rapid burner, SABAF, 500mm
23	30402400005	Ignition Needle - 650 mm	2	Ignition Needle, 403A, semi rapid burner, SABAF, 650mm
24	30402800024	6,000 BTU burner cup	2	Bottom Cup,semi rapid burner,No.3 No Label,Single Pipe,No
25	30402800033	12,000 BTU burner cup	2	Bottom Cup,rapid burner,3 No Label,Single Pipe,No
26	30402800017	3,500 BTU burner cup	1	Bottom Cup,auxiliary burnerTop,3 No Label,Single Tube,No
27	2040500281	Black Cooktop Plate	1	Freestanding oven panel kit, K30B(GJF), black enamel, BTC1 0.6mm, 2*M medium+2*M small+M micro, with smoke vent, with rear wall plate hole

28	30402900027	6,000 BTU burner Base (Rear left & Center)	2	Flamethrower, semi rapid burner, No. 3 Unmarked, 328, Nickel Aluminum Alloy
29	30402900038	12,000 BTU burner Base (Front Left & Front Right)	2	Flamethrower, rapid burner, No. 3 Unmarked, 403, Nickel Aluminum Alloy
30	30402900019	3,500 BTU burner Base (Center)	1	Flamethrower, Tiny Stove, No. 3 Unmarked, 6458, Nickel Aluminum Alloy
31	30403000052	6,000 BTU burner cap (Rear left & Center)	2	Fire cover, matte, semi rapid burner top, no, 3 no mark
32	30403000066	12,000 BTU burner cap (Front Left & Front Right)	2	Fire cover, matte, rapid burner, generation 1, 3 no. without label
33	30403000040	3,500 BTU burner cap (Center)	1	Flame cap, matte, auxiliary burnertop, no, 3 no mark
34	30402600407	Left & Right Cast-Iron Grates	2	Grate, K30(SFF), M_B hob, left and right pot racks, cast iron, black matt enamel, hob back to square
35	30402600406	Middle Cast-Iron Grate	1	Grate, K30(SFF), M_B burner, center pot rack, cast iron, black matte enamel, burner back to center
36	30306200014	Black Backsplash	1	Backsplash, K30(GSF), black enamel, BTC1, 0.6mm, n.o.s.

#### List of Wires Parts

I.D. NO.	Part Number	Part name	QTY.	Descriptions
1	30102100731	Connecting wire - Oven Harness 6.3 Terminal White	1	Connecting wires,110-240V,UL Listed,Oven,Harness,K30,Silicon Nitride Connecting wires,6 3 Terminal White
2	30102101380	Connecting Wire - Solenoid Valve Harness	1	Connecting wires,110V,UL approved,Solenoid Valve,Wiring Harness,K30,Silent Solenoid Valve Wiring 500mm,Riley Technology,None
3	30102101196	Connecting Wire - Oven Harness Connecting Wire 4.8 Terminal Black	1	Connecting wires,110-240V,UL Listed,Oven,Harness,K30,Silicon Nitride Connecting wires,4 8 Terminals,Black
4	30102101313	Connecting Wire - Wire Harness Ignition System with Valve Body, Dual Gas with Convection Fan with 2-Position Rocker Switch (110-120V)	1	Connecting wires,110V-120V,UL certified,K30B,set of wiress,silicon nitride 1 ignition system with domestic valve body,dual gas,with circulating fan,no timer,with two-position rocker switch
5	30105300183	Stove connection line - communication line, 1m with gas mechanical code switch with double magnetic ring	1	Stove connection cable, K30(GJF), communication cable, 1m, UL approved, with gas mechanical coding switch, with double magnetic ring

6	30102400505	Power Cord	1	Power cord, American plug, 1.4M, SOOW, 3C*16AWG, 3 Y terminals at the end, UL certified, with protective cover, K30B
---	-------------	------------	---	--

<b>List of Nozzles</b>				
<b>I.D. NO.</b>	<b>Part Number</b>	<b>Part name</b>	<b>QTY.</b>	<b>Descriptions</b>
1	30402100059	12,000BTU Burner - NG Nozzle 1.7 (Front Left & Front Right)	2	rapid burner, NG, Y1.7
2	30402100171	12,000BTU Burner - LP Nozzle 1.05 (Front Left & Front Right)	2	rapid burner, LPG, Y1.05
3	30402100047	6,000BTU Burner - NG Nozzle 1.18 (Rear Left & Center)	2	semi rapid burner, NG, Y1.18
4	30402100233	6,000BTU Burner - LP Nozzle 0.72 (Rear Left & Center)	2	semi rapid burner, LPG, Y0.72
5	30402100031	3,500BTU Burner - NG Nozzle 0.9 (Rear Right)	1	auxiliary burner, NG, Y0.9
6	30402100095	3,500BTU Burner - LP Nozzle 0.56 (Rear Right)	1	auxiliary burner, LPG, Y0.56
7	30402100050	Broil Burner - NG Nozzle 1.29	1	Top burner, NG, Y1.29
8	30402100118	Broil Burner - LP Nozzle 0.83	1	Top burner, LPG, Y0.83
9	30402100080	Bake Burner - NG Nozzle 1.75	1	Bottom burner, NG, Y1.75
10	30402100042	Bake Burner - LP Nozzle 1.1	1	Bottom burner, LPG, Y1.1
11	G30LP-1116	FFSGS1116 LP KIT (2 x 1.05, 2 x 0.72, 1 x 0.56, 1 x 0.83, 1 x 1.1)	1	rapid burner, LPG, Y1.05, semi rapid burner, LPG, Y0.72, auxiliary burner, LPG, Y0.56, Top burner, LPG, Y0.83, Bottom burner, LPG, Y1.1