



**IMPORTANT NOTE:**

Locate the Specification Label on unit to determine exact Model Name and electrical specifications. This information is needed to identify the correct replacement parts. See exploded view illustration(s) for Specification Label location.

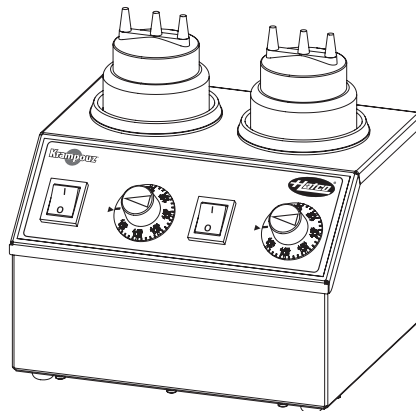
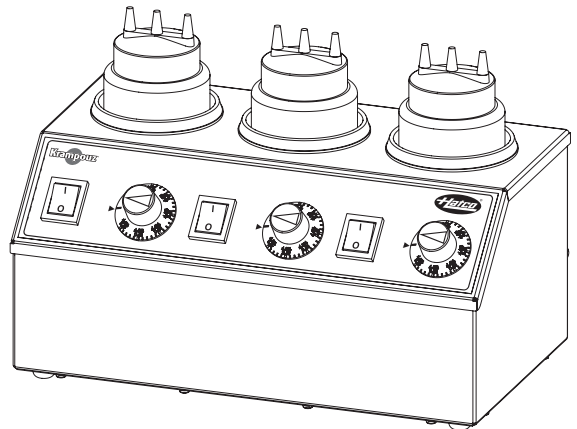
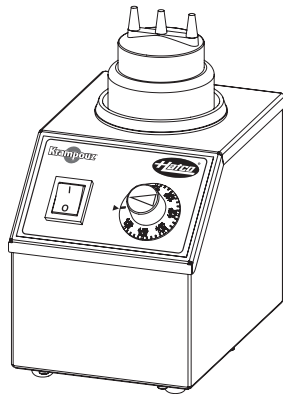


Use of replacement parts other than those supplied by Hatco Corporation may result in damage to unit or injury to personnel and will void all warranties.

# Electric Sauce Warmers

## KSW Series

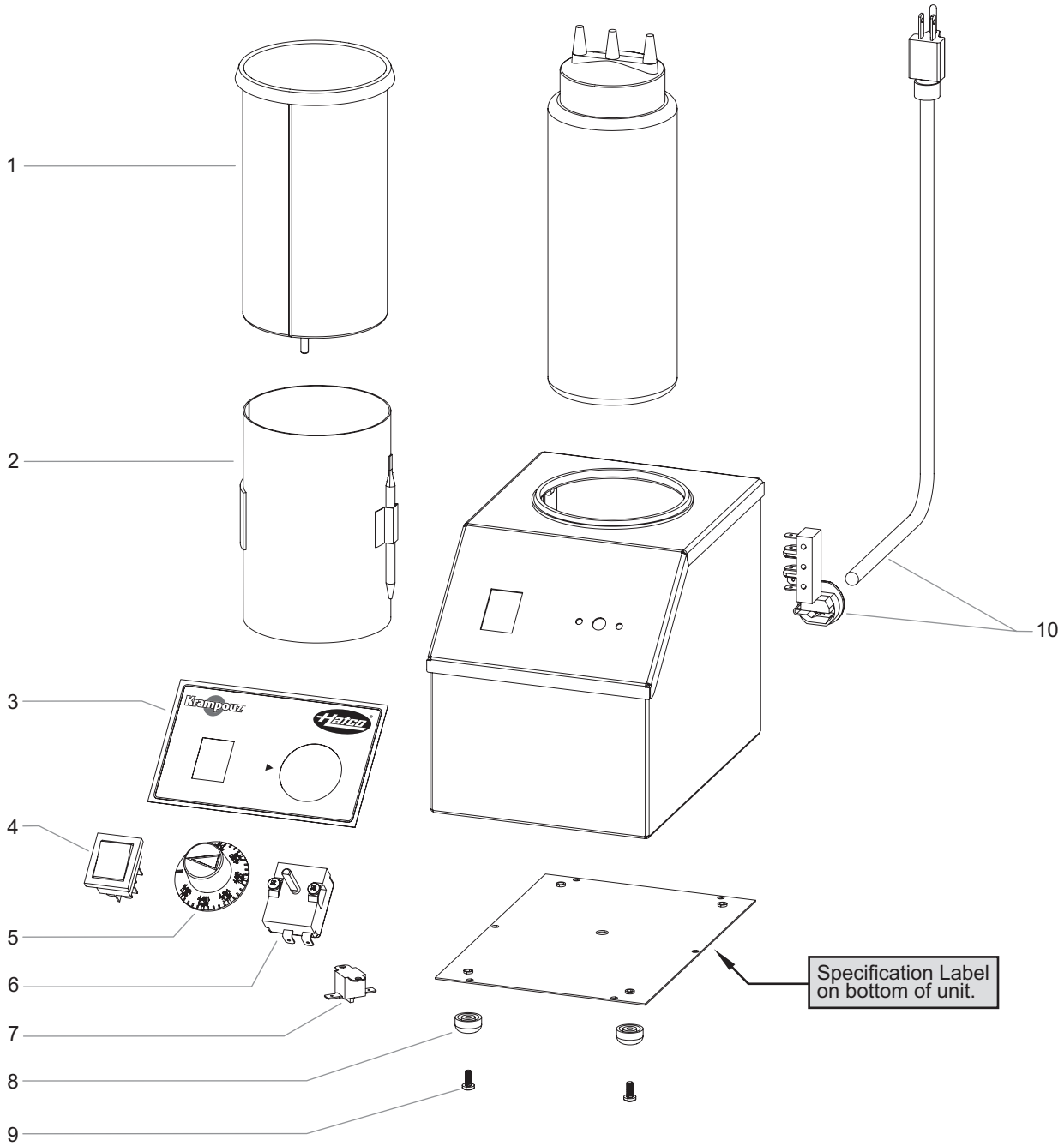
<u>Model Name</u>	<u>Page</u>
KSW-1 .....	2
KSW-2 .....	2
KSW-3 .....	2



# Replacement Parts List

# Electric Sauce Warmers

## KSW Series



## Models KSW-1, KSW-2, and KSW-3

Item	Description	Part Number	Qty.
1	Bottle Receiver	X05.30.349.00	1-3
2	Flexible Reheater	X02.08.753.00	1-3
3	Control Label		
	KSW-1	X07.01.502.00	1
	KSW-2	X07.01.503.00	1
	KSW-3	X07.01.504.00	1
4	Rocker On/Off Switch	X02.19.284.00	1
5	Knob, Thermostat	X05.30.348.00	1-3
6	Thermostat	X02.01.554.00	1-3
7	Circuit Breaker	X02.19.291.00	1
8	Legs	X05.30.350.00	4
9	Screws, Leg	X05.04.1064.00	4
10	Power Cord w/Plug	X02.18.1131.00	1
	Wiring Diagrams		
	KSW-1	10-01-1568	
	KSW-2	10-01-1569	
	KSW-3	10-01-1570	

**NOTE:** The last four digits in a ten digit numerical serial number are the manufacturing date code.

Example: Serial number 962506**1931** has a date code of "1931" which indicates the following: 1931

└─ Week Thirty-One  
└─ Year 2019