



**IMPORTANT NOTE:**

Locate the Specification Label on unit to determine exact Model Name and electrical specifications. This information is needed to identify the correct replacement parts. See exploded view illustration(s) for Specification Label location.

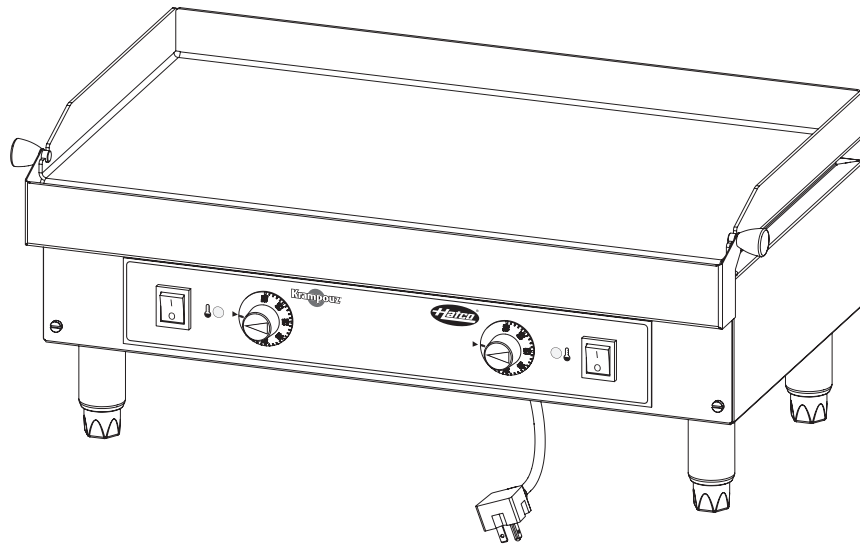


Use of replacement parts other than those supplied by Hatco Corporation may result in damage to unit or injury to personnel and will void all warranties.

# Electric Griddles

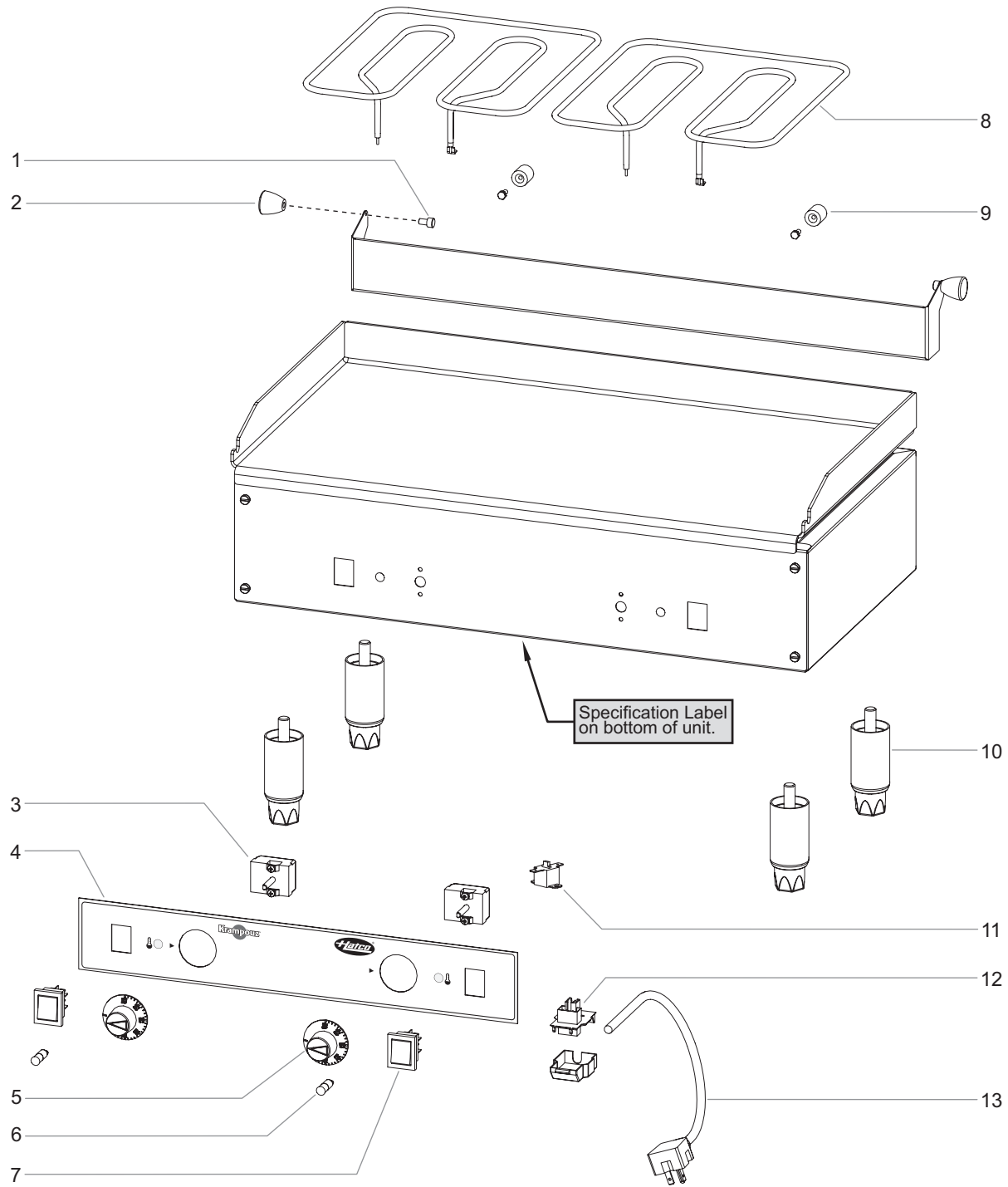
## *KGRDE Series*

<u>Model Name</u>	<u>Page</u>
KGRDE-2513.....	2



# Replacement Parts List

**Electric Griddles**  
**Model KGRDE-2513**



Item	Description	Part Number	Qty.
1	Pin, Handle	X05.30.346.00	2
2	Handle	X05.30.345.00	2
3	Thermostat	X02.01.545.00	2
4	Label, Control Panel	X07.01.501.00	1
5	Knob, Thermostat	X05.30.348.00	2
6	Indicator Light	X02.30.173.00	2
7	Rocker On/Off Switch	X02.19.284.00	2
8	Heating Element	X02.08.751.00	2
9	Back Spacer	X05.30.343.00	2
10	Legs	X05.30.344.00	4
11	High Limit Switch	X02.20.456.00	1
12	Cord Connection Box	X02.19.290.00	1
13	Power Cord w/Plug	X02.18.904.00	1
	Wiring Diagrams	10-01-1557	

*NOTE: The last four digits in a ten digit numerical serial number are the manufacturing date code.*

*Example: Serial number 9625061931 has a date code of "1931" which indicates the following: 1931*

