



IMPORTANT NOTE:
Locate the Specification Label on unit to determine exact Model Name and electrical specifications. This information is needed to identify the correct replacement parts. See exploded view illustration(s) for Specification Label location.

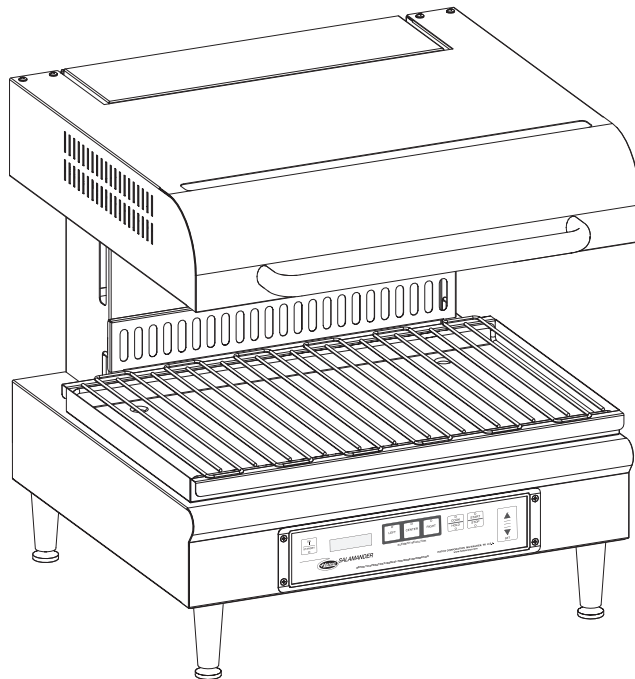
CAUTION

Use of replacement parts other than those supplied by Hatco Corporation may result in damage to unit or injury to personnel and will void all warranties.

Electric Salamander

SAL Series

<u>Model Name</u>	<u>Page</u>
SAL-1	2



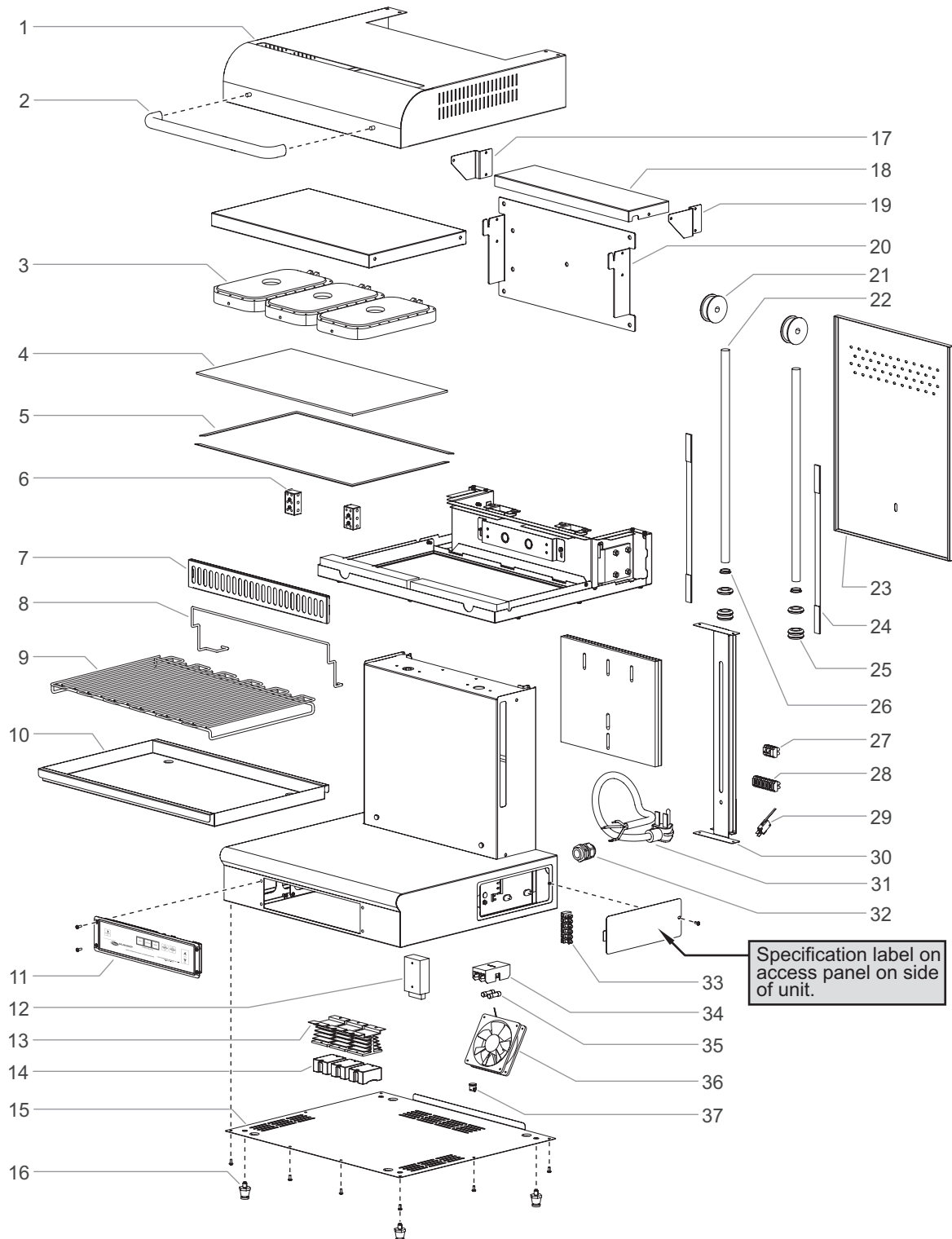
Replacement Parts List

Hatco Electric Salamander
SAL Series

Model Designation

SAL - 1

Quantity of
Full-Size Pans
Salamander



Model SAL-1 Parts List

Item	Description	Part No.	Qty.
1	Hood	04.34.613.00	1
2	Handle, Hood	05.30.195.00	1
3	Ribbon Heating Element		
	208 V	02.22.027.00	3
	240 V	02.22.025.00	3
	230 V	02.22.026.00	3
	240 V	02.22.025.00	3
4	Element Cover	04.40.411.00	1
5	Gasket	05.06.151.00	2
6	T-Block, Porcelain	02.15.037.00	2
7	Plate Detector	04.34.575.00	1
8	Plate Detector Bar	04.34.553.00	1
9	Grill Grate	04.09.876.00	1
10	Drip Tray	04.34.591.00	1
11	Control Assembly	02.01.370.00	1
12	Switching Power Supply	02.17.064.00	1
13	Heat Sink, Solid State Relay	04.09.872.00	3
14	Solid State Relay, 25 A	R02.01.355.00	3
15	Bottom Cover	04.34.550.00	1
16	Legs, Adjustable		
	1" (25 mm)	05.30.104.00	4
	4" (102 mm)	05.30.065.00	4
17	Wall Bracket Retainer, Left	04.34.590.00	1

Item	Description	Part No.	Qty.
18	Tower Cover	04.34.549.00	1
19	Wall Bracket Retainer, Right	04.34.589.00	1
20	Wall Bracket	04.34.588.00	1
21	Pulley	05.07.045.00	2
22	Guide Rod	04.34.544.00	2
23	Rear Cover	04.34.551.00	1
24	Pulley Strap	05.03.062.00	2
25	Grommet, Rubber	05.06.075.00	6
26	Clip Bearing	05.02.038.00	4
27	T-Block, Pole	02.15.029.00	1
28	T-Block	02.15.034.00	2
29	Switch, Micro	02.19.229.00	1
30	Counterweight Guide	04.34.555.00	1
31	Cord (US/CA units only)	02.18.017.00	1
32	Cord Grip (US/CA units only)	02.20.290.00	1
33	T-Block	02.15.034.00	2
34	Fuse Block, 15 A	02.03.022.00	1
35	Fuse, 15 A	R02.03.052.02	1
36	Fan, Axial	02.12.125.00	1
37	Thermostat	R02.16.073.00	1
	Electrical Drawing	10-01-1026	

The shaded areas contain electrical information for **International models only**.

NOTE: The last four digits in a ten digit numerical serial number are the manufacturing date code.

Example: Serial number 9625061331 has a date code of "1331" which indicates the following: 1331

└─ Week Thirty-One
└─ Year 2013