



**IMPORTANT NOTE:**

Locate the Specification Label on unit to determine exact Model Name and electrical specifications. This information is needed to identify the correct replacement parts. See exploded view illustration(s) for Specification Label location.

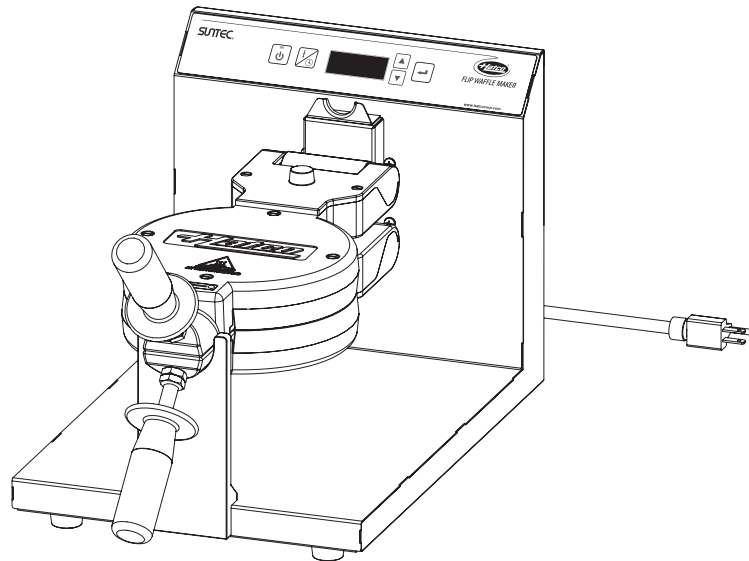


Use of replacement parts other than those supplied by Hatco Corporation may result in damage to unit or injury to personnel and will void all warranties.

# Flip Waffle Maker

## FWM Series

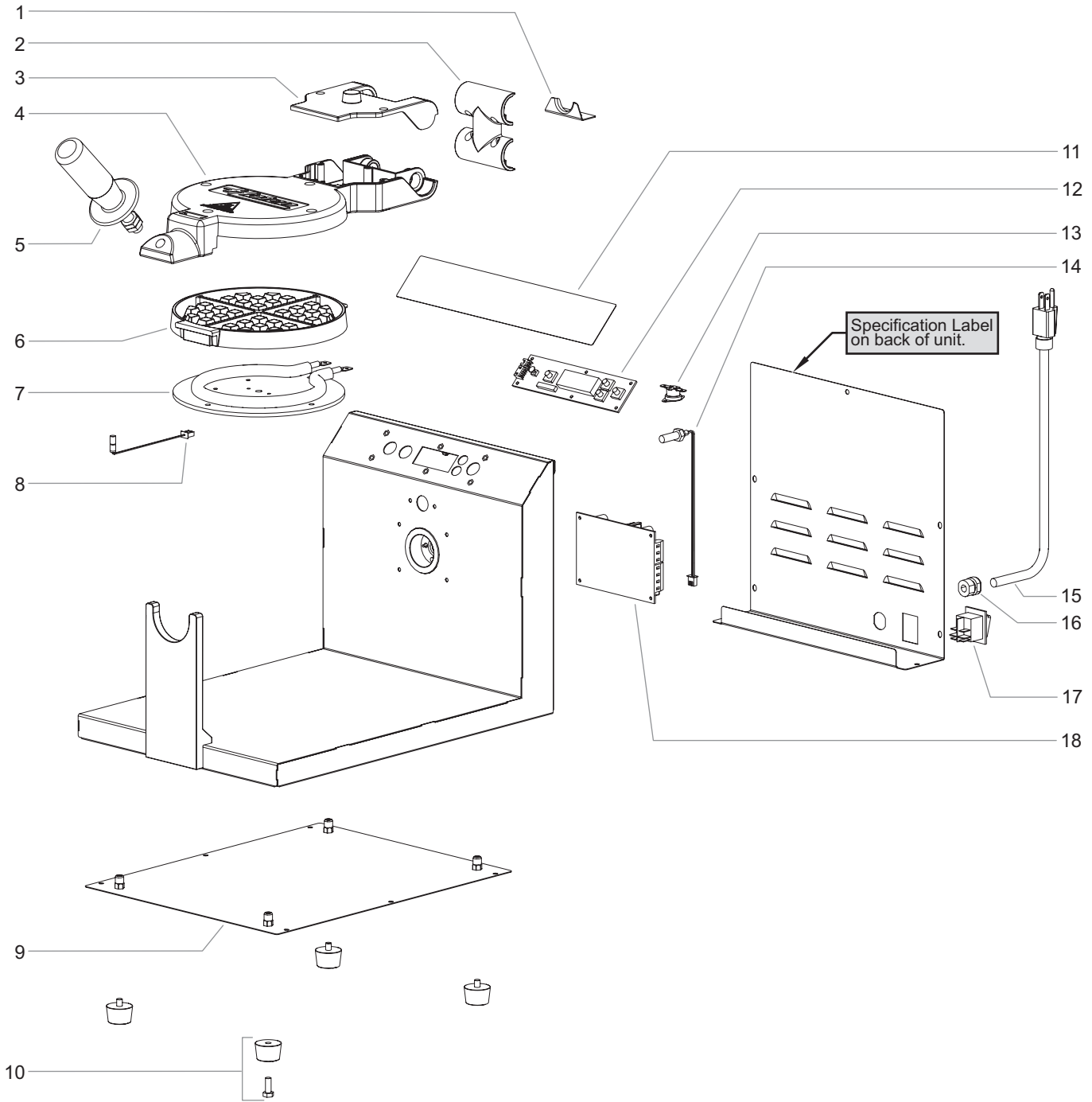
<u>Model Name</u>	<u>Page</u>
FWM-1B .....	2-3



# Replacement Parts List

# Hatco Flip Waffle Maker

## FWM Series



Item Description	Part No.	Qty.	Item Description	Part No.	Qty.
1 Plate Support	02.01.524.00	1	13 High Limit	02.16.216.00	1
2 Yoke Cover	04.44.359.00	1	14 Magnet Sensor	02.01.567.00	1
3 Pivot Yoke Cover	04.44.352.00	1	15 Power Cord and Plug		
4 Waffle Plate Cover	04.44.351.00	2	NEMA 5-15P	02.18.507A.00	1
5 Handle	05.30.379.00	2	CEE 7/7 Schuko	02.18.038.00	1
6 Belgian Waffle Plate	04.44.351.00	2	BS-1363	02.18.068.00	1
7 Heating Elements			CCC 10A	02.18.1053.00	1
120 V	02.05.1121.00	2	AS 3112	02.18.1004.00	1
100 V	02.05.1123.00	2	PSE	02.18.686.00	1
220-240 V	02.05.1122.00	2	16 Cord Grip	02.20.369.00	1
8 Probe	02.01.602.00	1	17 Power Switch		
9 Bottom Cover	04.44.360.00	1	100 and 120 V	02.19.239.00	1
10 Rubber Feet	05.30.247.00	4	220-240 V	02.19.240.00	1
11 Control Label	07.01.523.00	1	18 Main PCB	02.01.598.00	1
12 Control Board	02.01.524.00	1	Wiring Diagram	10-01-1655	

The shaded areas contain part information for **International models only**.

*NOTE: The last four digits in a ten digit numerical serial number are the manufacturing date code.*

*Example: Serial number 9625061931 has a date code of "1931" which indicates the following: 1931*

└─ Week Thirty-One  
└─ Year 2019