



IMPORTANT NOTE:

Locate the Specification Label on unit to determine exact Model Name and electrical specifications. This information is needed to identify the correct replacement parts. See exploded view illustration(s) for Specification Label location.

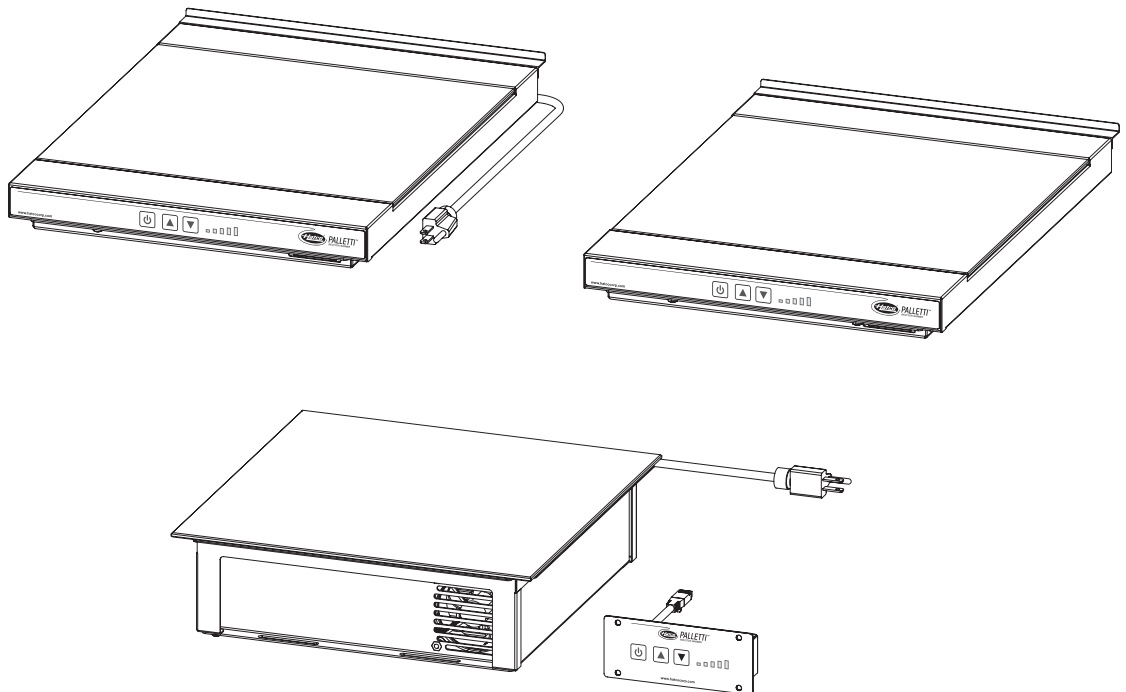


Use of replacement parts other than those supplied by Hatco Corporation will void all warranties and may result in damage to the unit or injury to personnel.

Palletti® Induction Warmers

IWRM Series

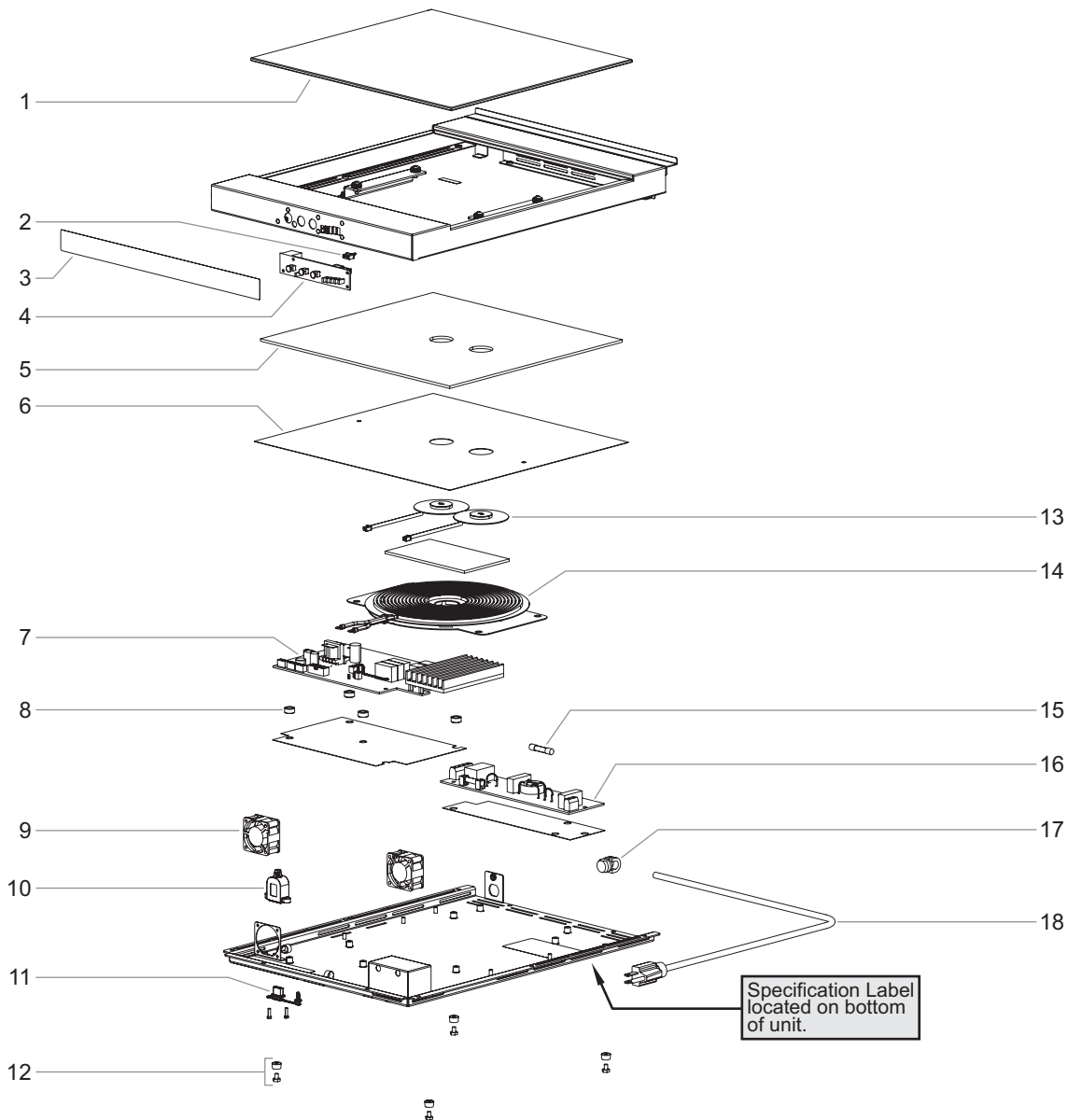
<u>Model Name</u>	<u>Page</u>	<u>Model Name</u>	<u>Page</u>	<u>Model Name</u>	<u>Page</u>
IWRM-C1-1317-06	2	IWRM-CD1-03	3	IWRM-B1-1313-06	4
		IWRM-CD1-05	3	IWRM-B1-1313-05	4
				IWRM-UX-06	4



Replacement Parts List

Countertop Induction Warmers

Model IWRM-C1-1317-06



Item	Description	Part No.	Qty.
1	Top, Ceramic Glass	04.40.577.00	1
2	Connector Wire	02.18.994.00	1
3	Label, Control Panel	07.01.448.00	1
4	Control Board, Panel	R02.01.574.01	1
5	Insulation, Glass	05.05.552.00	1
6	MICA Plate	02.05.1063.00	1
7	Control Board, Main	R02.01.551.03	1
8	Spacer, Nylon	05.30.252.00	4
9	Cooling Fan	02.12.175.00	2
10	USB Cable	02.18.786.00	1

Item	Description	Part No.	Qty.
11	USB Cover	02.20.288.00	1
12	Rubber Foot	05.30.295.00	4
13	Thermistor Assembly	02.18.887.00	2
14	Induction Coil	04.44.128.00	1
15	Fuse	02.03.093.00	1
16	Control Board, EMI	R02.01.565.00	1
17	Cord Grip	02.20.447.00	1
18	Power Cord w/Plug NEMA 5-15P, 120 V	02.18.583.00	1
	Wiring Diagram	10-01-1502	

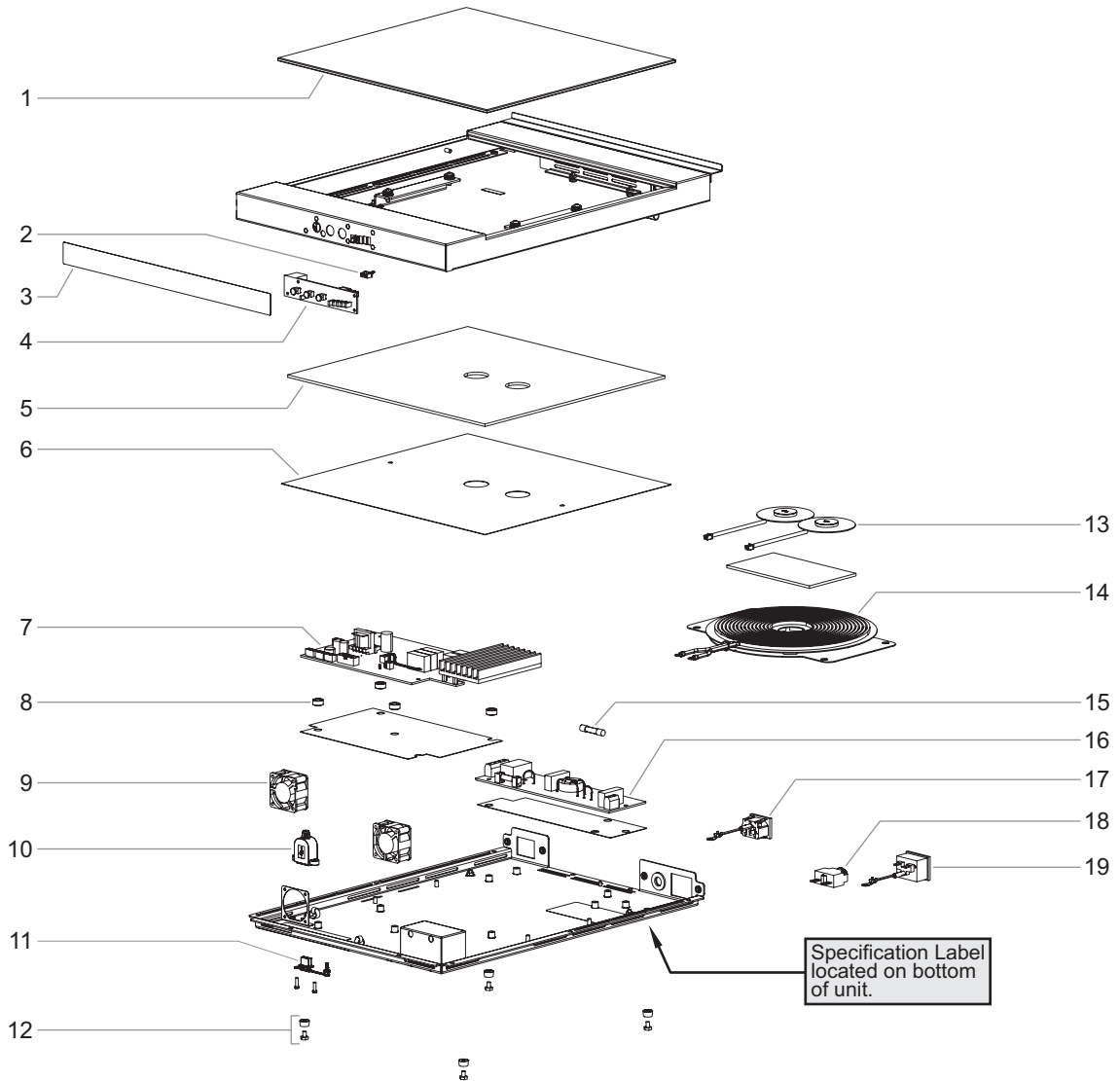
NOTE: The last four digits in a ten digit numerical serial number are the manufacturing date code: 962506**2004**

Year 2020
Week Four

The shaded areas contain information for **International models only.**

Countertop Daisy Chain Induction Warmer

Models IWRM-CD1-03, IWRM-CD1-05

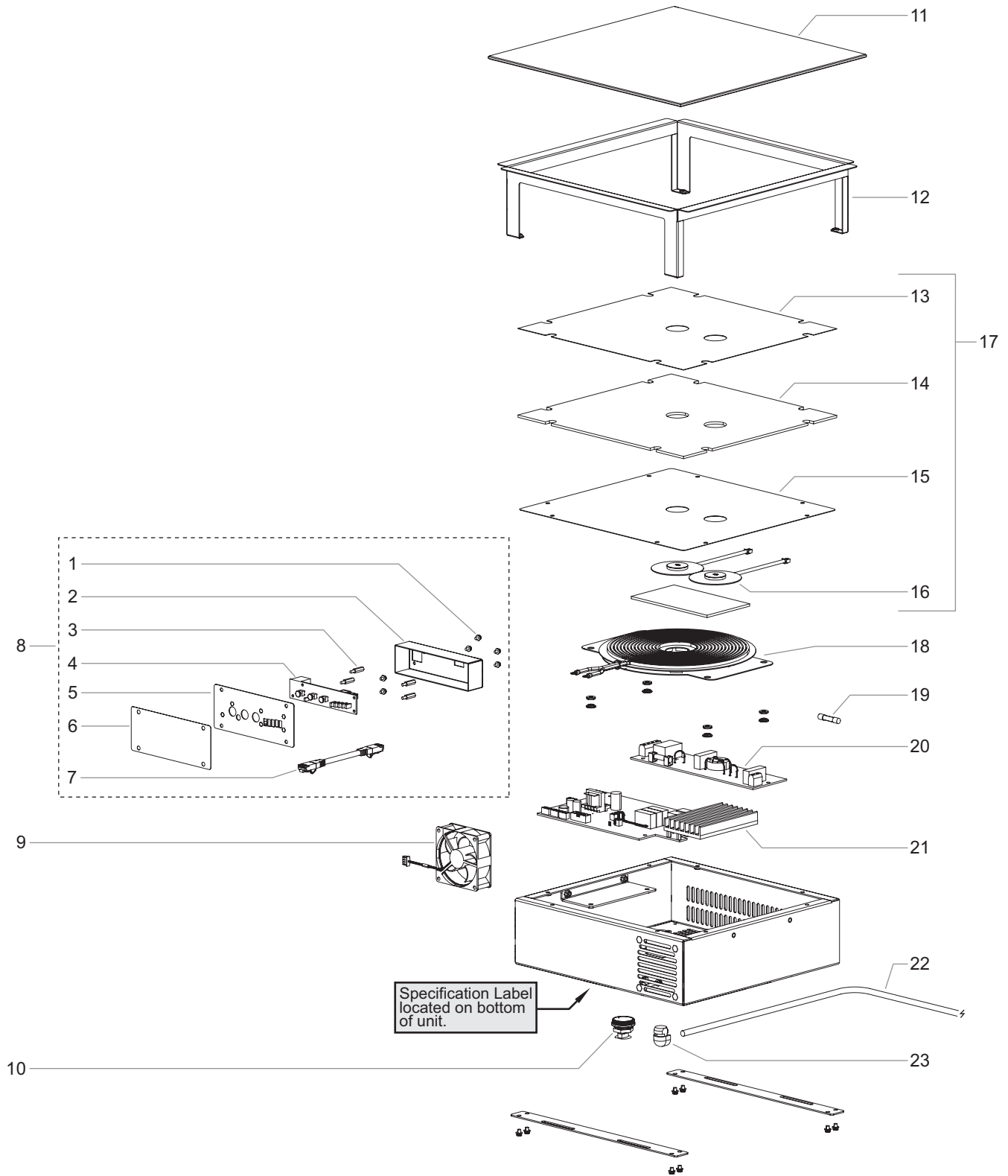


Item	Description	Part No.	Qty.
1	Top, Ceramic Glass	04.40.577.00	1
2	Connector Wire	02.18.994.00	1
3	Label, Control Panel	07.01.448.00	1
4	Control Board, Panel	R02.01.574.01	1
5	Insulation, Glass	05.05.552.00	1
6	MICA Plate	02.05.1063.00	1
7	Control Board, Main		
	IWRM-CD1-03, 600 W, 120 V	R02.01.551.05	1
	IWRM-CD1-05, 500 W, 230 V	R02.01.551.02	1
8	Spacer, Nylon	05.30.252.00	4
9	Cooling Fan	02.12.175.00	2
10	USB Cable	02.18.786.00	1
11	USB Cover	02.20.288.00	1
12	Rubber Foot	05.30.295.00	4
13	Thermistor Assembly	02.18.887.00	2

Item	Description	Part No.	Qty.
14	Induction Coil		
	IWRM-CD1-03, 600 W, 120 V	04.44.128.00	1
	IWRM-CD1-05, 500 W, 230 V	02.10.016.00	1
15	Fuse	02.03.093.00	1
16	Control Board, EMI	R02.01.565.00	1
17	Power Inlet, IEC		
	IWRM-CD1-03, 15 A	02.18.1315.00	1
	IWRM-CD1-05, 10 A	02.18.1101.00	1
18	Circuit Breaker		
	IWRM-CD1-03, 125 V	02.19.282.00	1
	IWRM-CD1-05, 125/250 V	02.19.293.00	1
19	Power Outlet, IEC		
	IWRM-CD1-03, 15 A	02.18.1314.00	1
	IWRM-CD1-05, 10 A	02.18.1102.00	1
	Wiring Diagram		
	IWRM-CD1-03	10-01-1503	
	IWRM-CD1-05	10-01-1611	

Built-In Induction Warmer

Models IWRM-B1-1313-06, IWRM-B1-1313-05, IWRM-UX-06



Item	Description	Part No.	Qty.
1	Screw w/Washer, Pan Head	05.04.855.00	6
2	Rear Enclosure, Control Panel		
	IWRM-B1-1313-06, -05, -06	04.44.144.00	1
3	Standoff	05.04.1004.00	4
4	Control Board, Panel	R02.01.574.01	1
5	Front Panel, Control Panel	04.44.143.00	1
6	Label, Control Panel	07.01.449.00	1
7	Control Cable, RJ45	02.18.1064.00	1
8	Control Box Kit	R04.44.143.00	1
9	Cooling Fan	02.12.183.00	1
10	Communication Cable	02.18.1054.00	1
11	Top, Ceramic Glass		1
	IWRM-B1-1313-06, -05		
	Black	04.40.596.00	1
	White	04.40.616.00	1
	IWRM-UX-06, Black	04.40.627.00	1
12	Mounting Frame	04.44.221.00	1
13	MICA Plate	05.05.573.00	1
14	Insulation, Glass	05.05.575.00	1
15	MICA Plate, Coil	05.05.574.00	1
16	Thermistor Assembly		
	IWRM-B1-1313-06, -05	02.18.887.00	2
	IWRM-UX-06	02.18.1111.00	1
17	Top Sensor Kit, IWRM-B1 (includes Items 12, 13, 14, and 15)	R02.18.887.00	1

Item	Description	Part No.	Qty.
18	Induction Coil		
	IWRM-B1-1313-06, 120 V	04.44.128.00	1
	IWRM-B1-1313-05, 230 V	02.10.016.00	1
19	Fuse	02.03.093.00	1
20	Control Board, EMI	R02.01.565.00	1
21	Control Board, Main		
	IWRM-B1-1313-06, 120 V	R02.01.551.04	1
	IWRM-B1-1313-05, 230 V	R02.01.551.01	1
	IWRM-UX-06	R02.01.551.06	1
22	Power Cord w/Plug		
	NEMA 5-15P, 120 V	02.18.583.00	1
	BS-1363, 220-240 V	02.18.066.00	1
	CEE 7/7 Schuko, 220-240 V	02.18.077.00	1
	CCC 10 A, 220-240 V	02.18.598.00	1
	AS 3112, 220-240 V	02.18.606.00	1
23	Cord Grip	02.20.447.00	1
24	Wire Harness (not shown)	02.18.1090.00	1
25	Trim Ring (not shown)	04.44.305.00	1
	Wiring Diagram		
	IWRM-B1-1313-06	10-01-1504	
	IWRM-B1-1313-05	10-01-1612	
	IWRM-UX-06	10-01-1551	

NOTE: The last four digits in a ten digit numerical serial number are the manufacturing date code: 962506**2004**

Year 2020 ————
Week Four ————

The shaded areas contain information for **International models only.**