



**IMPORTANT NOTE:**

Locate the Specification Label on unit to determine exact Model Name and electrical specifications. This information is needed to identify the correct replacement parts. See exploded view illustration(s) for Specification Label location.

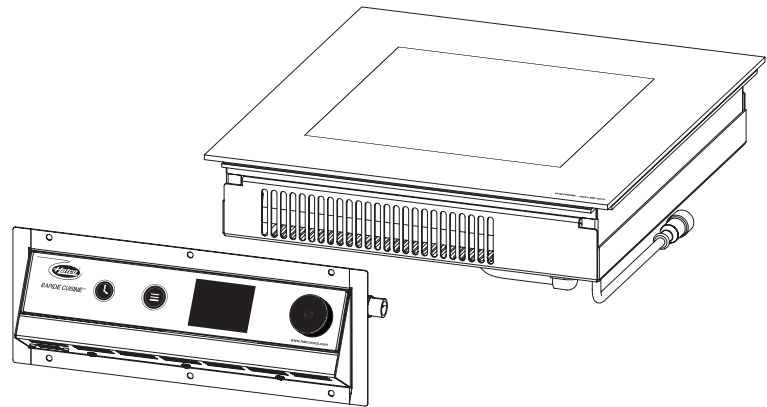
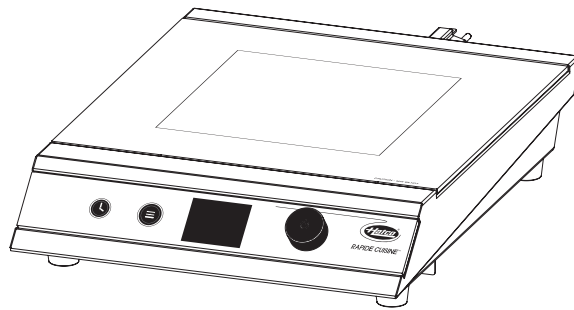


Use of replacement parts other than those supplied by Hatco Corporation will void all warranties and may result in damage to the unit or injury to personnel.

# Rapide Cuisine® Induction Range

## *IRNG Series, P Type and H Type*

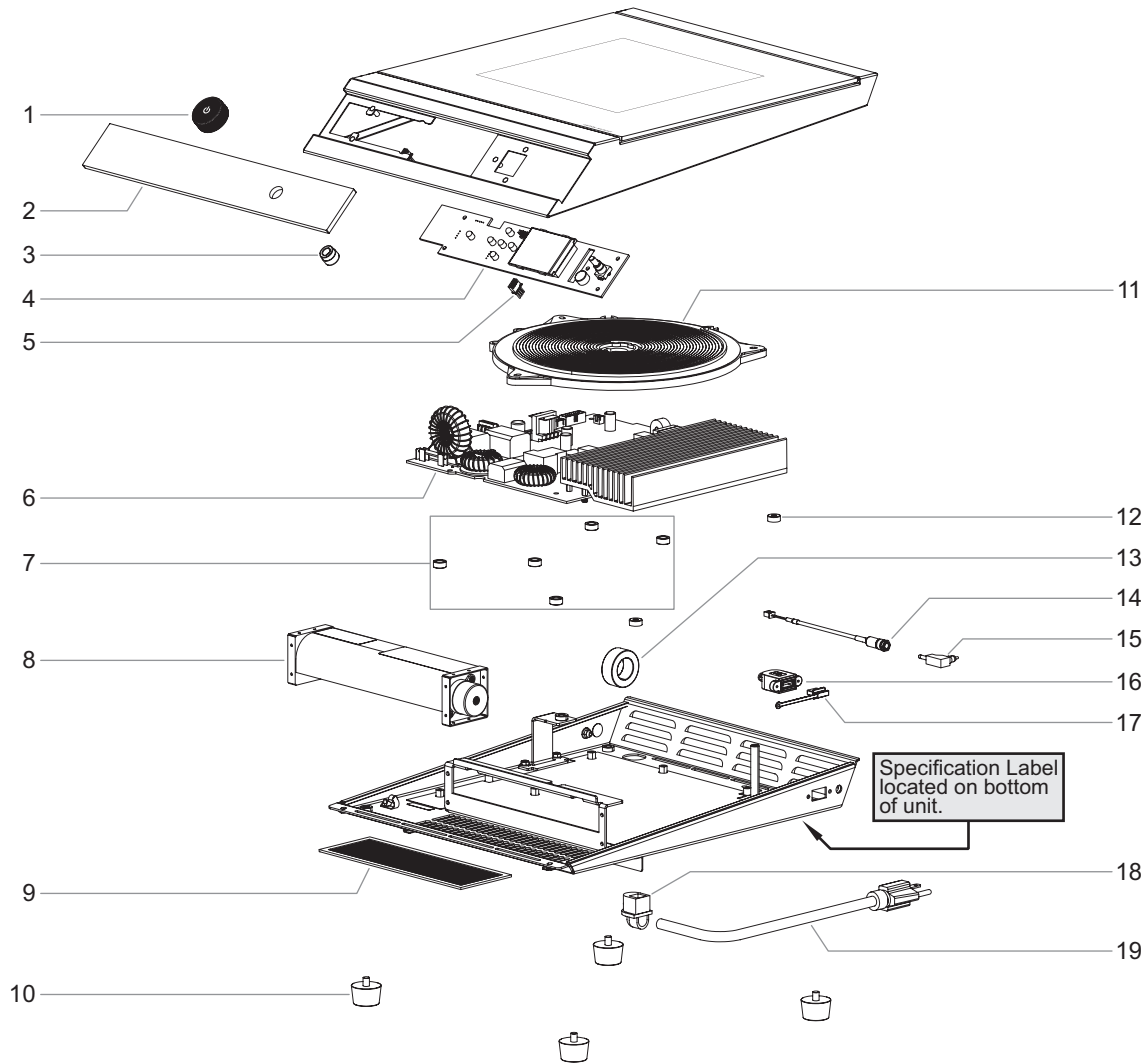
<u>Model Name</u>	<u>Page</u>	<u>Model Name</u>	<u>Page</u>	<u>Model Name</u>	<u>Page</u>
IRNG-PC1-14 .....	2	IRNG-PC1-30 .....	3	IRNG-PB1-14 .....	4
IRNG-HC1-14 .....	2	IRNG-PC1-36 .....	3	IRNG-PB1-18 .....	4
IRNG-PC1-18 .....	2			IRNG-BXC1-14.....	6
IRNG-HC1-18.....	2			IRNG-BXC1-18.....	6



# Replacement Parts List

# Countertop Induction Ranges

Models IRNG-PC1-14, IRNG-HC1-14, IRNG-PC1-18, and IRNG-HC1-18



Item	Description	Part No.	Qty.
1	Knob, Control	05.30.389.00	1
2	Control Panel		
	IRNG-PC1-14, IRNG-PC1-18	07.01.404.00	1
	IRNG-HC1-14, IRNG-HC1-18	07.01.430.00	1
3	Seal, Shaft	05.30.384.00	1
4	Control Board, Panel (includes item 3)	R02.01.569.00	1
5	Connector Wire	02.18.994.00	1
6	Control Board, Main (includes items 7 and 12)	R02.01.452.00	1
7	Spacer, Nylon	05.30.252.00	5
8	Cooling Fan	02.12.157.00	1
9	Air Filter	02.12.164.00	1
10	Rubber Foot	05.30.247.00	4

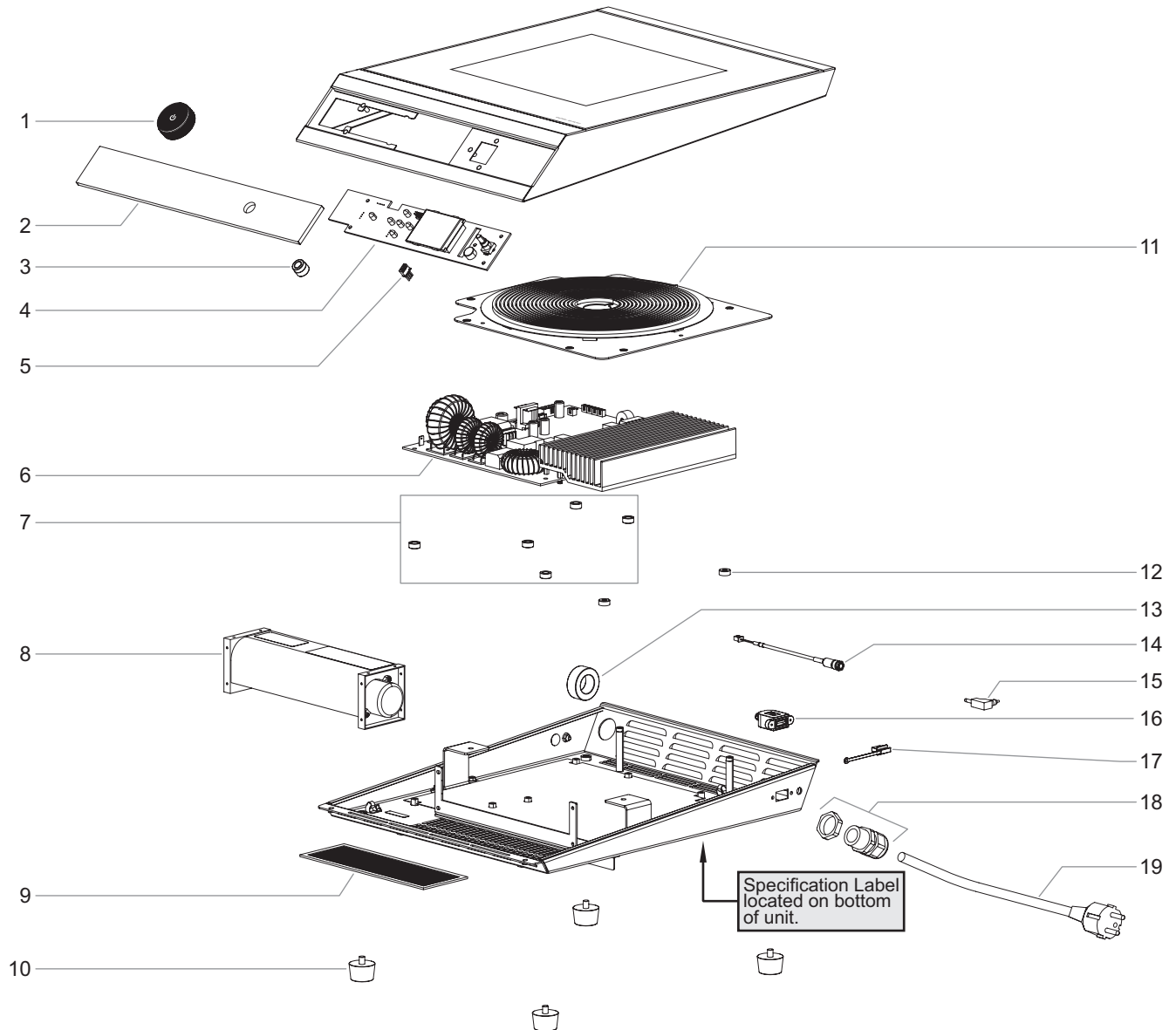
Item	Description	Part No.	Qty.
11	Induction Coil	04.44.094.00	1
12	Insulating Cap, Nylon	05.30.249.00	2
13	Ferrite Core	05.30.250.00	1
14	Probe Socket, 3.5 mm	02.18.895.00	1
15	Food Probe	02.01.468.00	1
16	USB Cable	02.18.873.00	1
17	USB Cover	05.30.288.00	1
18	Cord Grip	02.20.330.00	1
19	Power Cord w/Plug		
	NEMA 5-15P, 120 V	02.18.802.00	1
	NEMA 5-20P, 120V, Canada	02.18.866.00	1
	Wiring Diagram	10-01-1289	

NOTE: The last four digits in a ten digit numerical serial number are the manufacturing date code: 962506**1704**

Year 2017 ———  
Week Four ———

# Countertop Induction Ranges

## Models IRNG-PC1-30 and IRNG-PC1-36



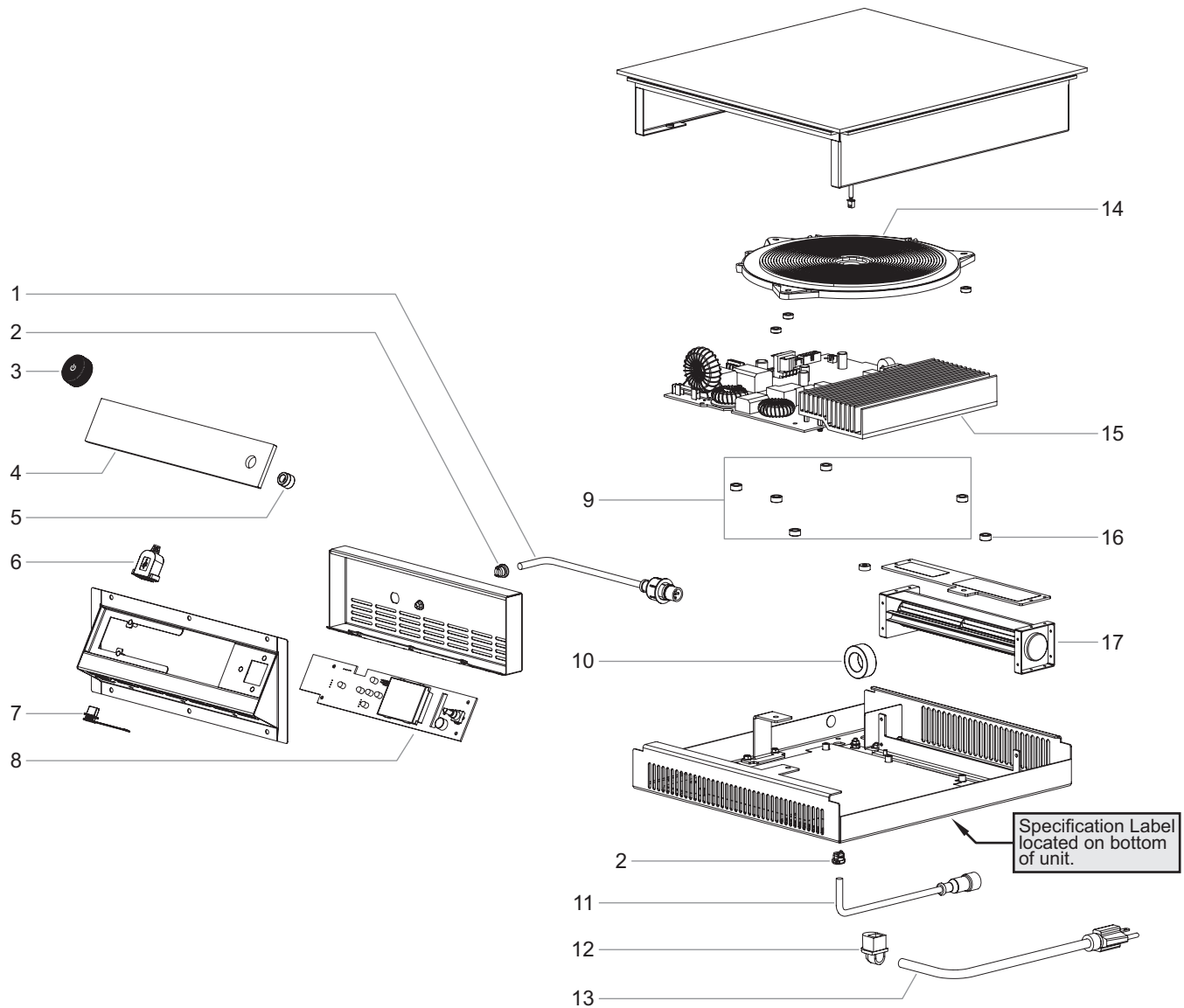
Item	Description	Part No.	Qty.
1	Knob, Control	05.30.389.00	1
2	Control Panel	07.01.433.00	1
3	Seal, Shaft	05.30.384.00	1
4	Control Board, Panel (includes item 3)	R02.01.569.00	1
5	Connector Wire	02.18.994.00	1
6	Control Board, Main (includes items 7 and 12)	R02.01.481.00	1
7	Spacer, Nylon	05.30.252.00	5
8	Cooling Fan	02.12.169.00	1
9	Air Filter	02.12.164.00	1
10	Rubber Foot	05.30.247.00	4
11	Induction Coil	04.44.118.00	1
12	Insulating Cap, Nylon	05.30.249.00	2

Item	Description	Part No.	Qty.
13	Ferrite Core	05.30.250.00	1
14	Probe Socket, 3.5 mm	02.18.895.00	1
15	Food Probe	02.01.468.00	1
16	USB Cable	02.18.873.00	1
17	USB Cover	05.30.288.00	1
18	Cord Grip	02.20.502.00	1
19	Power Cord w/Plug		
	NEMA 6-20P, 208/240 V	02.18.862.00	1
	BS-1363, 220-240 V	02.18.863.00	1
	CEE 7/7 Schuko, 220-240 V	02.18.865.00	1
	CCC 10A, 220-240 V	02.18.907.00	1
	AS 3112, 220-240 V	02.18.908.00	1
	Wiring Diagram	10-01-1352	

The shaded areas contain information for **International models only.**

# Built-In Induction Ranges

Models IRNG-PB1-14, IRNG-PB1-18, IRNG-PB1-30, and IRNG-PB1-36



Item	Description	Part No.	Qty.
1	Connector Cable, Male	02.18.834.00	1
2	Cord Grip	02.20.498.00	2
3	Knob, Control	05.30.389.00	1
4	Control Panel	07.01.428.00	1
5	Seal, Shaft	05.30.384.00	1
6	USB Cable	02.18.786.00	1
7	USB Cover	05.30.288.00	1
8	Control Board, Panel (includes item 5)	R02.01.569.00	1
9	Spacer, Nylon	05.30.252.00	5
10	Ferrite Core	05.30.250.00	1
11	Connector Cable, Female	02.18.833.00	1
12	Cord Grip, IRNG-PB1-14/-18, Right Angle	02.20.330.00	1
	IRNG-PB1-30/-36, Straight	02.20.502.00	1
13	Power Cord w/Plug IRNG-PB1-14/-18		
	NEMA 5-15P, 120 V	02.18.802.00	1
	NEMA 5-20P, 120V, Canada (IRNG-PB1-18 only)	02.18.866.00	1
	IRNG-PB1-30/-36		
	NEMA 6-20P, 208/240 V	02.18.862.00	1
	BS-1363, 220-240 V (IRNG-PB1-30 only)	02.18.863.00	1
	CEE 7/7 Schuko, 220-240 V	02.18.865.00	1
	CCC 10A, 220-240 V	02.18.907.00	1
	AS 3112, 220-240 V	02.18.908.00	1

Item	Description	Part No.	Qty.
14	Induction Coil IRNG-PB1-14/-18, 1800 W	04.44.094.00	1
	IRNG-PB1-30/-36, 3600 W	04.44.118.00	1
15	Control Board, Main (includes items 9 and 16)		
	IRNG-PB1-14/-18, 1800 W	R02.01.452.00	1
	IRNG-PB1-30/-36, 3600 W	R02.01.481.00	1
16	Insulating Cap, Nylon	05.30.249.00	2
17	Cooling Fan		
	IRNG-PB1-14/-18	02.12.157.00	1
	IRNG-PB1-30/-36	02.12.169.00	1
18	Trim Ring (not shown)		
	IRNG-PB1-14/-18	04.44.112.00	1
	IRNG-PB1-30/-36	04.44.159.00	1
	Wiring Diagram		
	IRNG-PB1-14/-18	10-01-1293	
	IRNG-PB1-30/-36	10-01-1380	

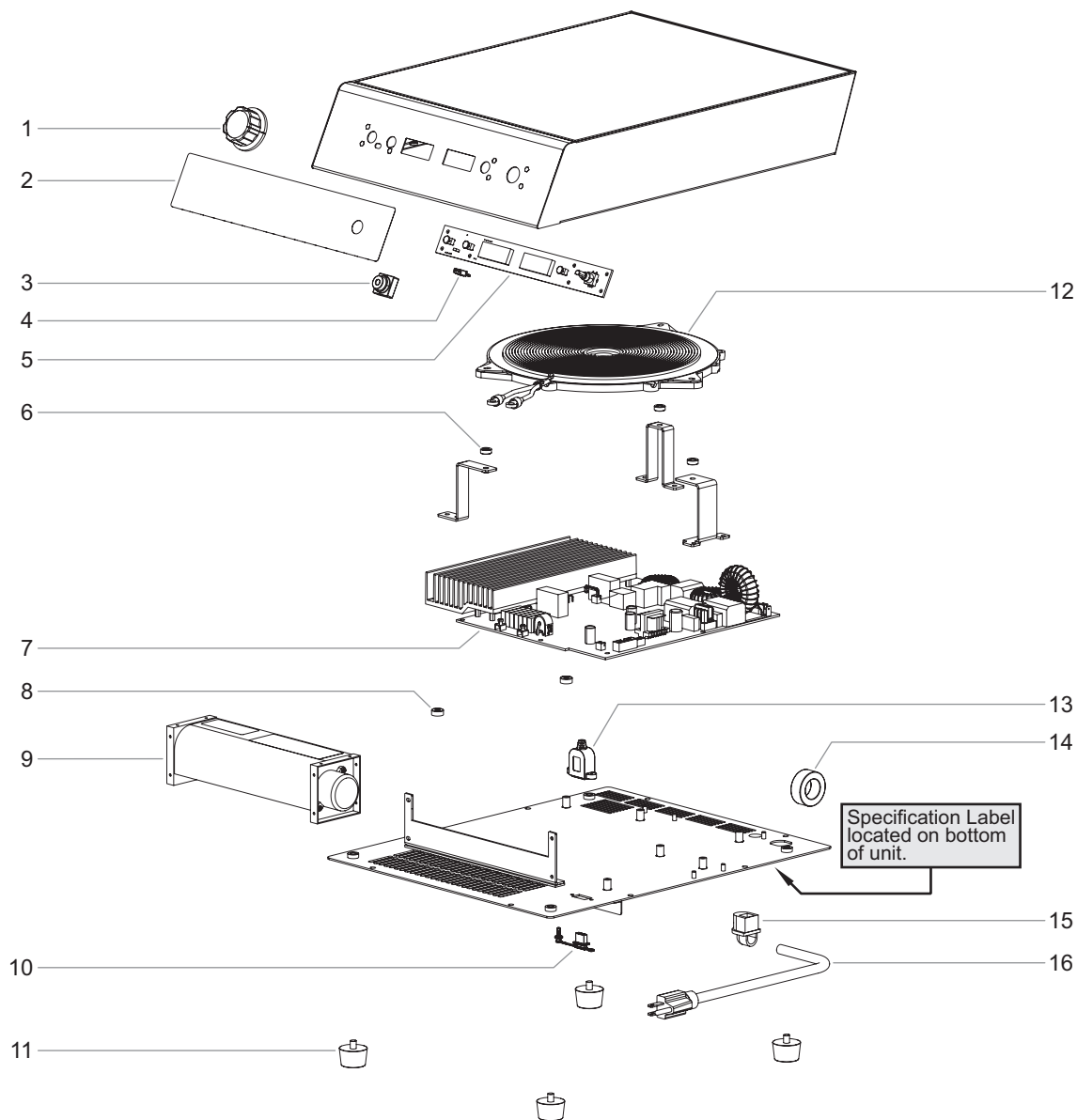
The shaded areas contain information for **International models only.**

NOTE: The last four digits in a ten digit numerical serial number are the manufacturing date code: 962506**1704**

Year 2017 ————  
Week Four ————

# Countertop Induction Ranges

## Models IRNG-BXC1-14 and IRNG-BXC1-18



Item	Description	Part No.	Qty.
1	Knob, Control	05.30.332.00	1
2	Control Panel	07.01.492.00	1
3	Seal, Shaft	05.30.384.00	1
4	Connector Wire	02.18.994.00	1
5	Control Board, Panel (includes item 3)	R02.01.541.00	1
6	Spacer, Nylon	05.30.254.00	3
7	Control Board, Main (includes items 6 and 8)	R02.01.452.00	1
8	Insulating Cap, Nylon	05.30.249.00	2
9	Cooling Fan	02.12.157.00	1

Item	Description	Part No.	Qty.
10	USB Cover	05.30.288.00	1
11	Foot, Rubber	05.30.247.00	4
12	Induction Coil	04.44.094.00	1
13	Ferrite Core	05.30.250.00	1
14	USB Cable	02.18.873.00	1
15	Cord Grip	02.20.330.00	1
16	Power Cord w/Plug		
	NEMA 5-15P, 120 V	02.18.802.00	1
	NEMA 5-20P, 120V, Canada	02.18.866.00	1
	Wiring Diagram	10-01-1543	

NOTE: The last four digits in a ten digit numerical serial number are the manufacturing date code: 962506**1704**

Year 2017  
Week Four