



**IMPORTANT NOTE:**

Locate the Specification Label on unit to determine exact Model Name and electrical specifications. This information is needed to identify the correct replacement parts. See exploded view illustration(s) for Specification Label location.

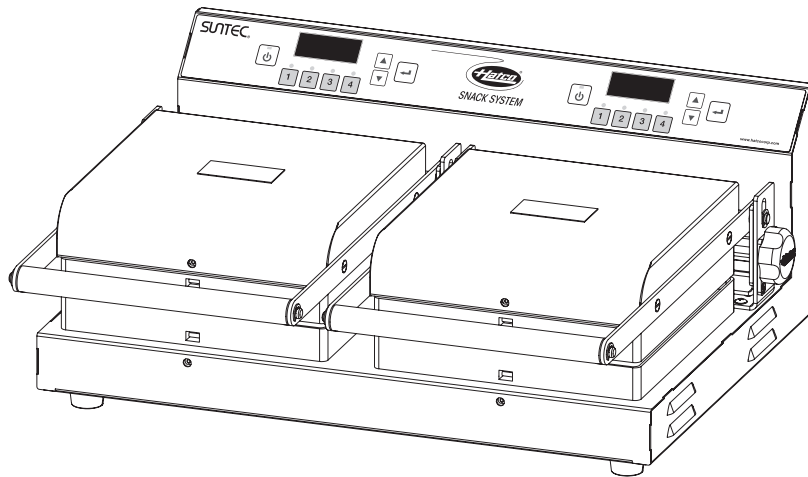
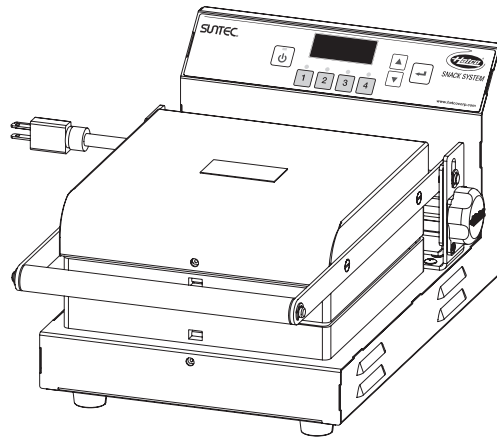


Use of replacement parts other than those supplied by Hatco Corporation may result in damage to unit or injury to personnel and will void all warranties.

# Snack System

## SNACK Series

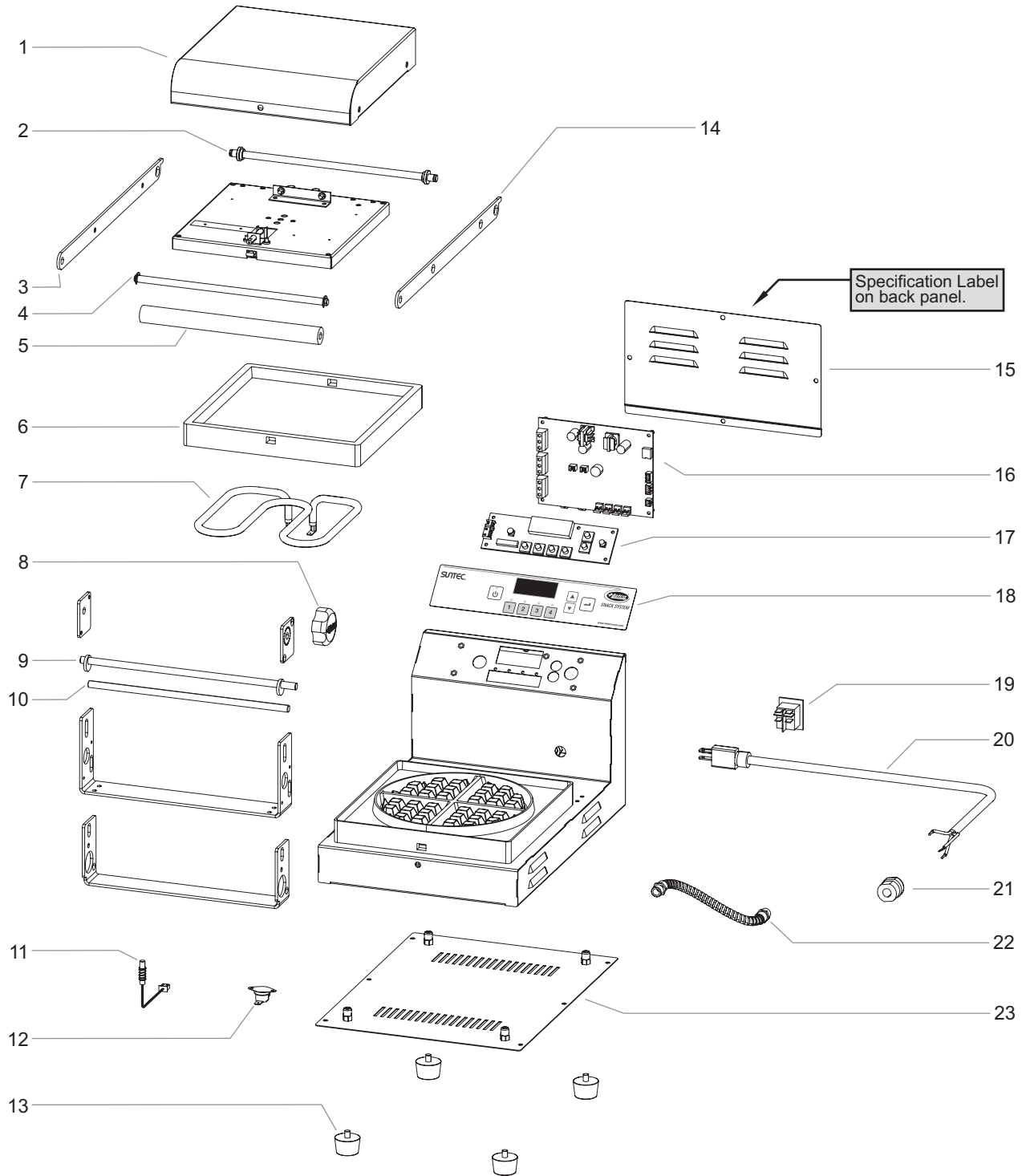
<u>Model Name</u>	<u>Page</u>
SNACK-1 .....	2
SNACK-2 .....	2



# Replacement Parts List

# Snack System

## SNACK Series



Item	Description	Part Number	Qty.
1	Cover, Top	04.44.193.00	1-2
2	Hinge Shaft	05.07.056.00	1-2
3	Left Arm	04.44.164.00	1-2
4	Handle Shaft	05.07.053.00	1-2
5	Handle	05.30.302.00	1-2
6	Cooking Plate		
	Belgian Waffle	04.44.288.00	2-4
	Freestyle	04.44.289.00	2-4
	Coffee Bean	04.44.287.00	2-4
	Sandwich	04.44.286.00	2-4
	Panini	04.44.285.00	2-4
	Donut	04.44.284.00	2-4
	Chelky	04.44.283.00	2-4
7	Heating Element		
	120 V	02.05.1059.00	2-4
	100 V	02.05.1061.00	2-4
	220-240 V	02.05.1060.00	2-4
8	Top Plate Adjustment Knob	04.44.201.00	1-2
9	Shaft with Cam	05.07.058.00	1-2
10	Hinge Shaft	05.07.057.00	1-2
11	Temperature Probe	02.01.518.00	1-2
12	Thermostat Limit	02.16.216.00	1-2
13	Rubber Feet	05.30.247.00	4

NOTE: Quantities shown as a range are dependant upon the style of waffle maker, single head or dual head models.

Item	Description	Part Number	Qty.
14	Right Arm	04.44.165.00	1-2
15	Cover, Rear		
	SNACK-1	04.44.170.00	1
	SNACK-2	04.44.179.00	1
16	Circuit Board	02.01.533.00	1-2
17	Circuit Board, Controller	02.01.532.00	1-2
18	Control Label		
	SNACK-1	07.01.479.00	1
	SNACK-2	07.01.480.00	1
19	Power I/O (on/off) Switch		
	100 and 120 V	02.19.239.00	1
	220-240 V	02.19.240.00	1
20	Power Cord		
	NEMA 5-15P	R02.18.1109.00	1
	NEMA 5-20P	R02.18.1110.00	1
	CEE 7/7 Schuko	02.18.038.00	1
	BS-1363	02.18.068.00	1
	AS 3112	02.18.1004.00	1
	CH1-10P	02.18.1053.00	1
	JIS C 8303	02.18.686.00	1
21	Cord Grip	02.20.369.00	1
22	Flexible Wire Conduit	04.44.294.00	1-2
23	Cover, Bottom		
	SNACK-1	04.44.162.00	1
	SNACK-2	04.44.178.00	1
	Wiring Diagram		
	SNACK-1	10-01-1519	
	SNACK-2	10-01-1520	

NOTE: The last four digits in a ten digit numerical serial number are the manufacturing date code.

Example: Serial number 962506**1931** has a date code of "1931" which indicates the following: 1931

└─ Week Thirty-One  
└─ Year 2019