



IMPORTANT NOTE:

Locate the Specification Label on unit to determine exact Model Name and electrical specifications. This information is needed to identify the correct replacement parts. See exploded view illustration(s) for Specification Label location.

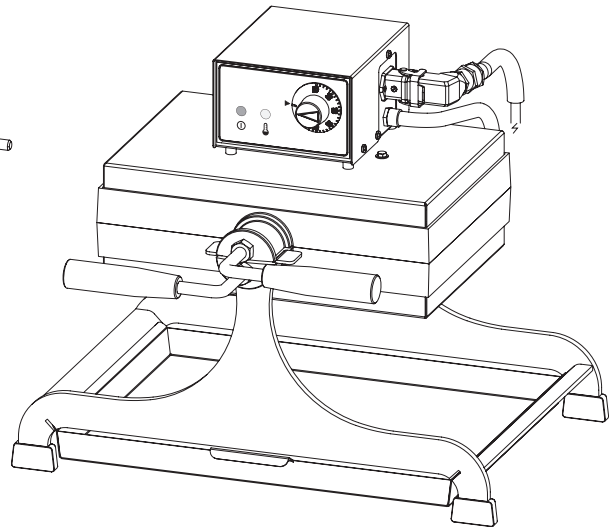
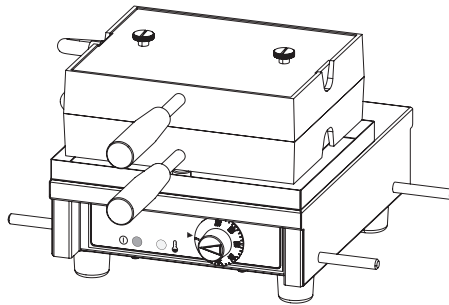
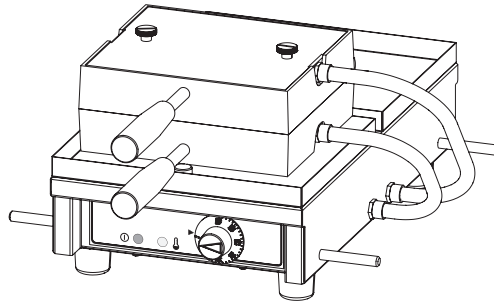


Use of replacement parts other than those supplied by Hatco Corporation may result in damage to unit or injury to personnel and will void all warranties.

Waffle Makers

KWM Series

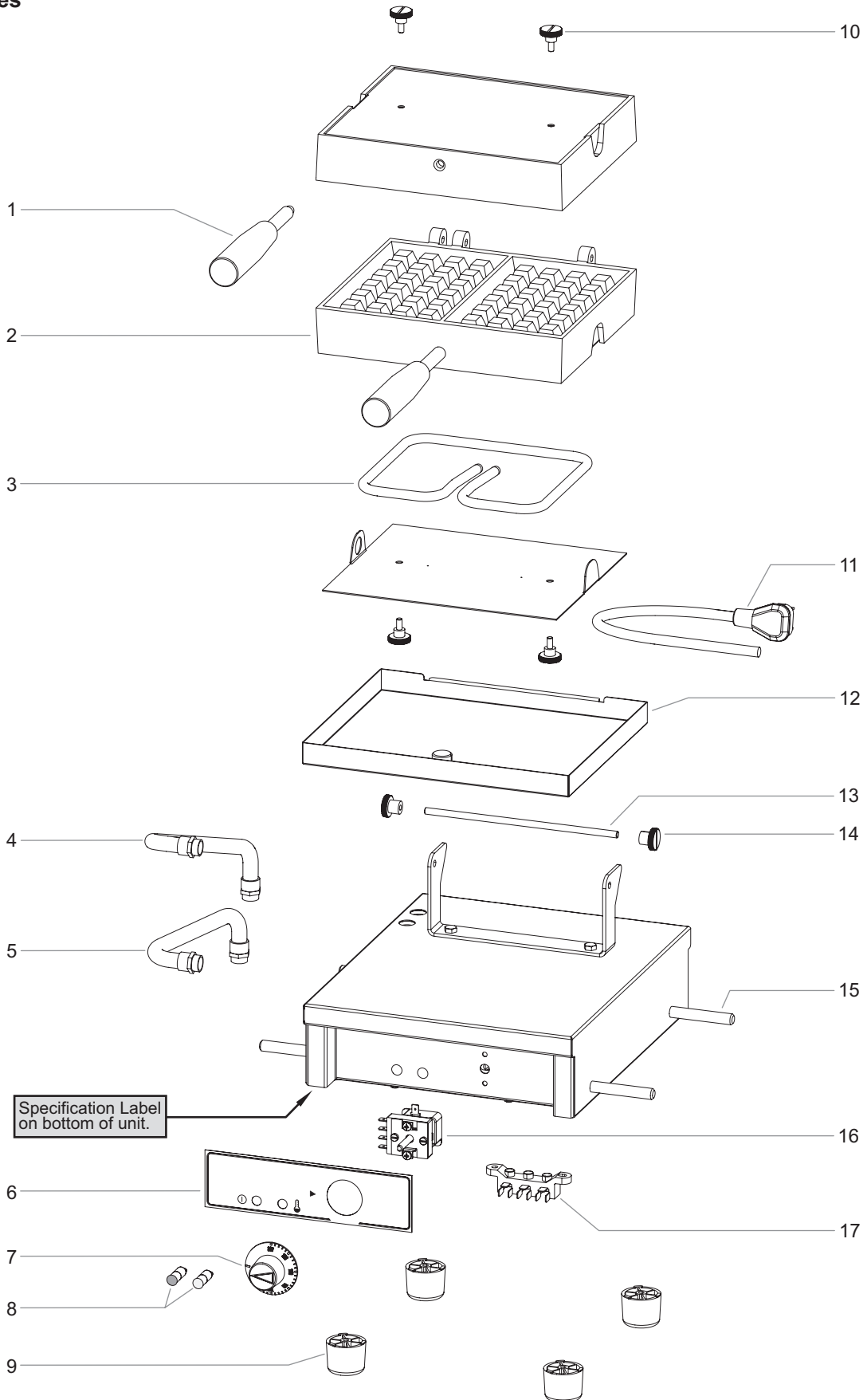
<u>Model Name</u>	<u>Page</u>
KWM Series	2
KWMSL Series	4



Replacement Parts List

Waffle Makers

KWM Series



Item	Description	Part Number	Qty.
1	Handle	X05.30.334.00	2
2	Waffle Plate Kit		
	Brussels, 4x6	X05.13.050.00	1
	Brussels, 3x5	X05.13.052.00	1
	Mini Brussels, 3x5	X05.13.081.00	1
	Liège, 4x7	X05.13.051.00	1
	Bubble	X05.13.054.00	1
	Churro	X05.13.068.00	1
	Round, 4x8	X05.13.053.00	1
3	Heating Element		
	115 V, 725 W	X02.08.736.00	2
	230 V, 900 W	X02.08.737.00	2
4	Wire Connector, Top Plate, 10"	X02.18.608.00	1
5	Wire Connector, Bottom Plate, 12"	X02.18.1112.00	1
6	Label, Control Panel	X07.01.500.00	1
7	Knob, Control	X05.30.215.00	1
8	Indicator Light Set (includes two indicators—red lens and green lens)	X02.30.173.00	1
9	Foot	X05.30.224.00	4

Item	Description	Part Number	Qty.
10	Thumbscrew	X05.04.834.00	4
11	Power Cord		
	120 V, NEMA 5-15P	X02.18.901.00	1
	208–240 V, NEMA 6-20P	X02.18.1178.00	1
12	Drip Tray		
	Brussels, Liège, Bubble, Churro Waffle Plate units	X05.30.340.00	1–2 *
	Round Waffle Plate units	X05.30.367.00	1–2 *
13	Hinge Pin	X05.30.341.00	1
14	Thumb Nut, Pivot	X05.30.335.00	2
15	Standoff Rod Kit	R05.13.078.00	4
16	Thermostat	X02.01.398.00	1
17	Terminal Block		
	115 V	X02.19.283.00	1
	240 V	X02.19.289.00	1
	Wiring Diagrams		
	Single Head Units	10-01-1527	
	Dual Head Units	10-01-1528	

* Quantities shown as a range are dependant upon the style of waffle maker, 90° hinged or 180° hinged.

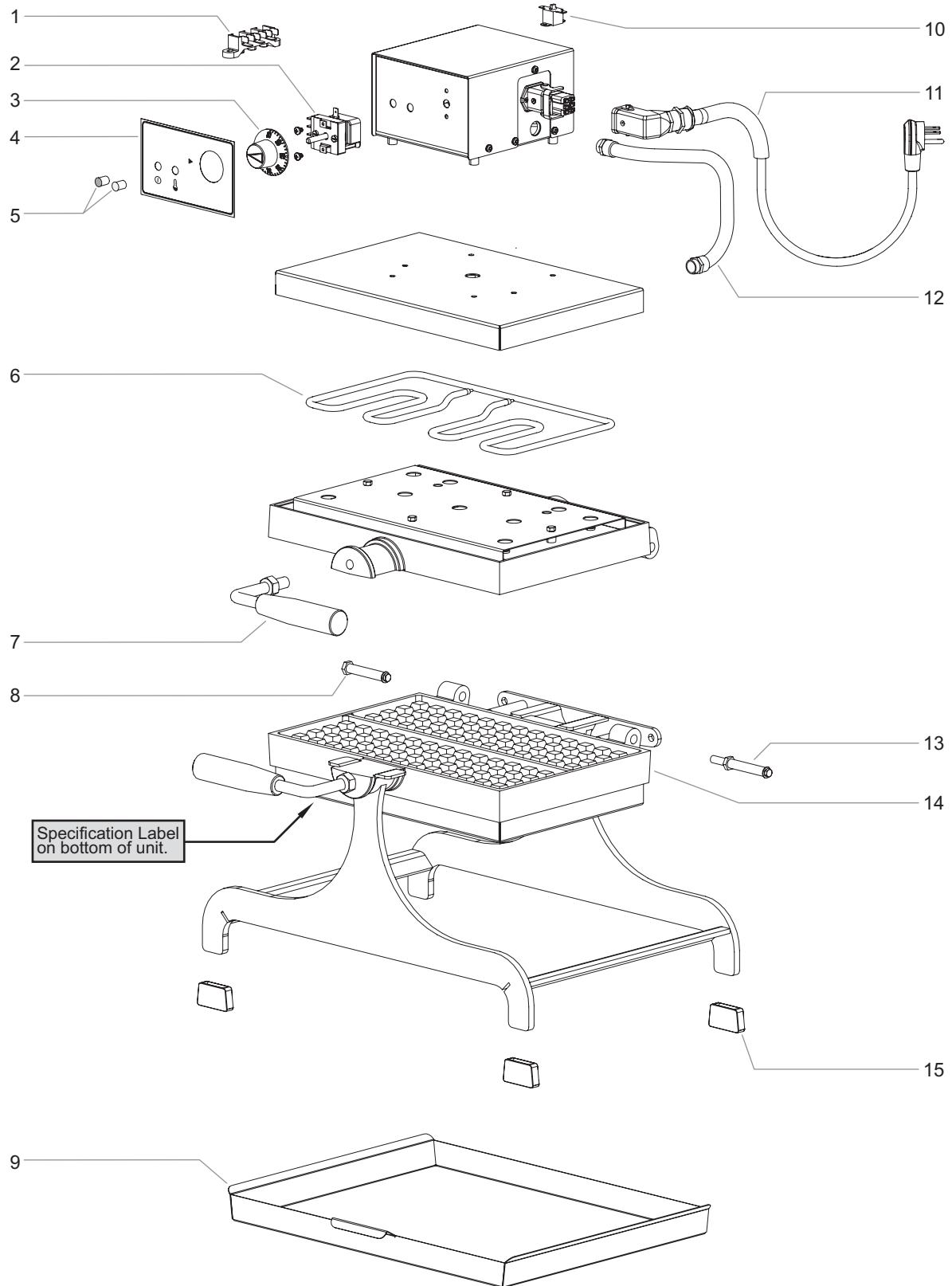
NOTE: The last four digits in a ten digit numerical serial number are the manufacturing date code.

Example: Serial number 962506**1931** has a date code of "1931" which indicates the following: 1931



Swivel Waffle Makers

KWMSL Series



Item	Description	Part Number	Qty.
1	Terminal Block	X02.19.283.00	1
2	Thermostat	X02.01.398.00	1
3	Knob, Control	X05.30.215.00	1
4	Label, Control Panel	X07.01.516.00	1
5	Indicator Light Set (includes two indicators—red lens and green lens)	X02.30.173.00	1
6	Heating Element, 240 V, 1300 W	X02.08.755.00	2
7	Handle	X05.30.368.00	2
8	Hinge Pin	X05.30.386.00	1
9	Drip Tray	X05.30.371.00	1
10	Thermostat, High Temp	X02.20.456.00	1
11	Power Cord, 208–240 V, NEMA 6-20P	X02.18.1178.00	1
12	Wire Connector, 10"	X02.18.608.00	1
13	Hinge Pin w/Stop	X05.30.369.00	1
14	Waffle Plate Kit		
	Liège, 4x13	X05.13.055.00	1
	Brussels, 4x6	X05.13.056.00	1
15	Foot	X05.30.370.00	4
	Wiring Diagram	10-01-1583	

NOTE: The last four digits in a ten digit numerical serial number are the manufacturing date code.

*Example: Serial number 962506**1931** has a date code of "1931" which indicates the following: 1931*

