



# Pop-Up Toaster

## IMPORTANT! — HOW TO USE THIS PARTS LIST

This Replacement Parts List includes sections for several different versions/revisions of the TPT Series Pop-Up Toasters. Each of these versions were given a specific **Item** number—"TPT120", "TPT208.R01", "TPT3.120", etc... The **Item** number is printed on the top, right side of the specification label. The specification label is located on the bottom of each unit (refer to page 2 for a specification label example).

To find the correct replacement parts list for a TPT Series Pop-Up Toaster, locate the specific **Item** number and refer to the appropriate section page numbers listed below:

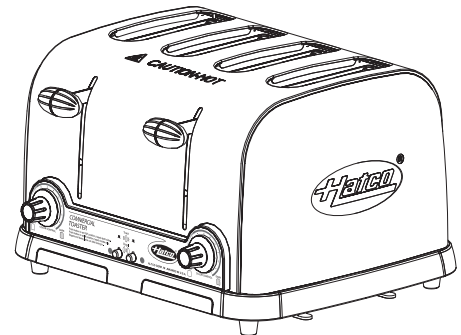
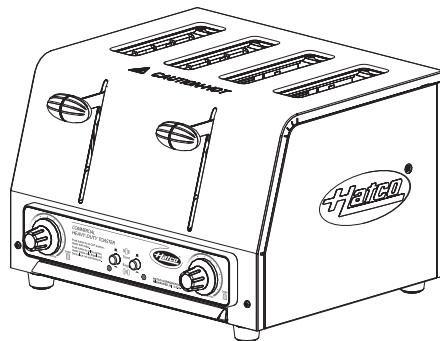
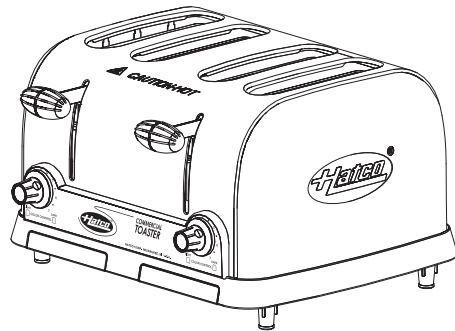
Item Number	Page #
TPT3.120, TPT3.120CSA, TPT3.208, TPT3.208CSA, TPT3.230-4, TPT3.230SCHUKO, TPT3.230CCC, TPT3.240	2-3
TPT120, TPT120CA, TPT-120, TPT-120CA, TPT-120CA-15A	4-5
TPT120.R01, TPT120CA.R01, TPT-230R-4	6-7
TPT208, TPT208CA, TPT208.R01, TPT208CA.R01, TPT240, TPT240.R01, TPT-230-4	8-10

### TPT Series

TPT-120  
TPT-120R

TPT-208  
TPT-240

TPT-230-4  
TPT-230R



### CAUTION

Use of replacement parts other than those supplied by Hatco Corporation may result in damage to unit or injury to personnel and will void all warranties.

See "IMPORTANT!" information in each section of this Replacement Parts List to locate the correct part numbers for a specific model.

# Replacement Parts List

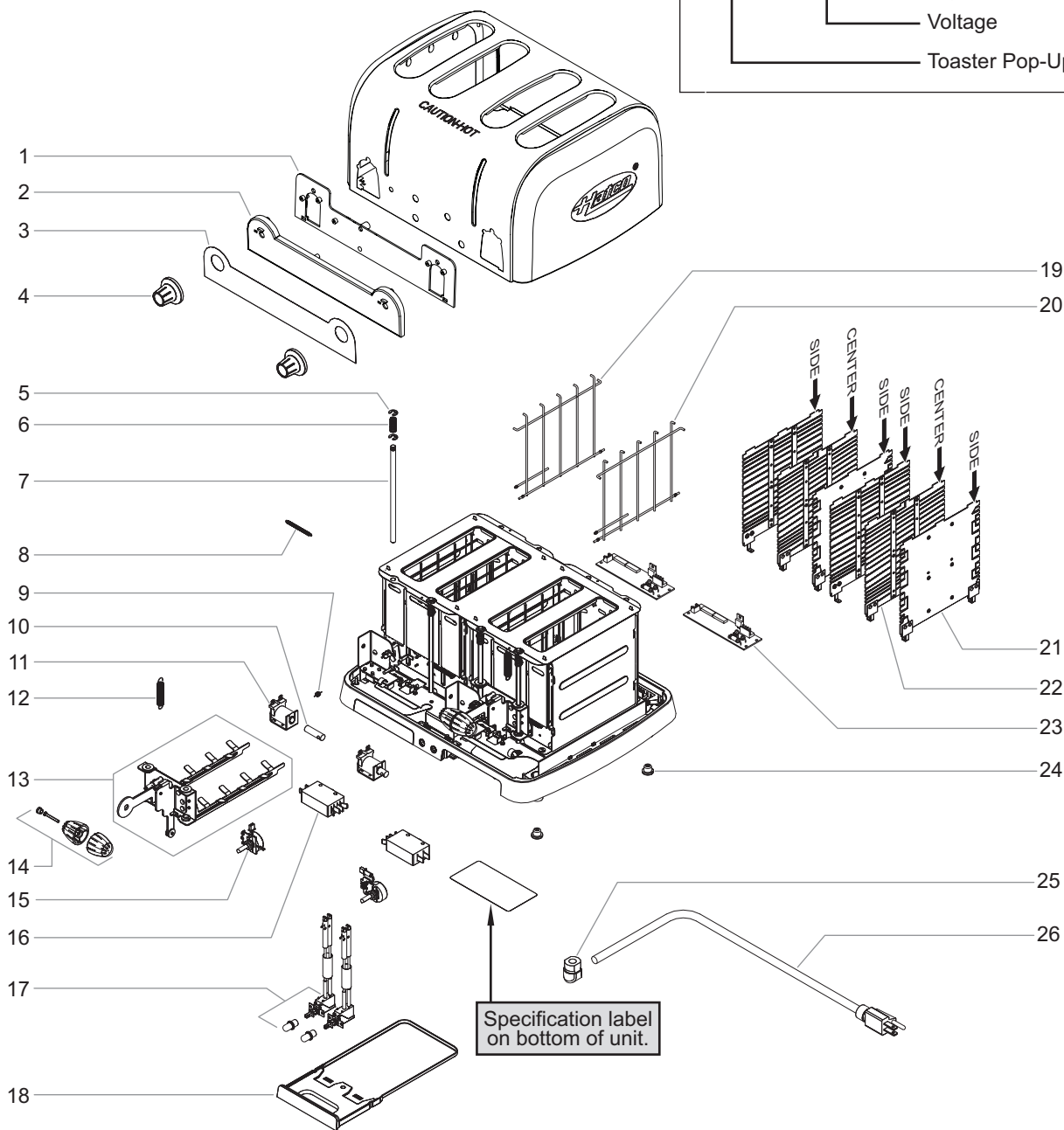
# HATCO POP-UP TOASTER

TPT-120, TPT-208, TPT-240, TPT-230-4 Models

## Model Designation

**TPT-XXX-4**

Qty. of Toasting Slots  
Voltage  
Toaster Pop-Up Type



### IMPORTANT! — HOW TO USE THIS SECTION

This section of the TPT Series Replacement Parts List includes part numbers for different versions/revisions of the TPT-120, TPT-208, TPT-240, and TPT-230-4 Model Pop-Up Toasters. Each of these versions were given a specific **Item** number—“TPT3.120”, “TPT3.208”, “TPT3.230-4”, etc... The **Item** number is printed on the top, right side of the specification label. The specification label is located on the bottom of the unit.

To find the correct replacement parts for a TPT-120, TPT-208, TPT-240, or TPT-230-4 Model Pop-Up Toaster, locate the specific **Item** number and refer to the appropriate column in the table on the next page.

Part numbers of “---” indicate the item is not available for the designated unit.

**HATCO CORPORATION, MILWAUKEE, WIS. U.S.A.**  
MADE IN U.S.A.  
**Model: TPT-120**      S/N: 1234610801      **Item: TPT3.120**

	~VAC	WIRE	WATTS	PH	Hz
CIRCUIT 1:	120	2	1800	15.0	1 60

U.L. File  
E42639

Example of a TPT-120 Specification Label



## TPT-120, TPT-208, TPT-240, TPT-230-4 MODELS PARTS LIST

Item	Description	Item #s: TPT3.120 TPT3.120CSA	Item #s: TPT3.208 TPT3.208CSA	Item #s: TPT3.230-4 TPT3.230SCHUKO TPT3.230CCC TPT3.240	Qty.
		Part Number	Part Number	Part Number	
1	Bracket, Control Panel	04.05.643.00	04.05.643.00	04.05.643.00	1
2	Control Panel	04.05.644.00	04.05.644.00	04.05.644.00	1
3	Decal, Control Panel ■	07.01.329.00	07.01.360.00	07.01.360.00	1
4	Knob, Color Control	05.30.115.00	05.30.115.00	05.30.115.00	2
5	E-Ring	05.04.558.00	05.04.558.00	05.04.558.00	8
6	Damping Spring	05.08.017.00	05.08.017.00	05.08.017.00	4
7	Carriage Shaft	05.07.042.00	05.07.042.00	05.07.042.00	4
8	Spring, Extension	05.08.019.00	05.08.019.00	05.08.019.00	4
9	Return Spring, Solenoid	05.08.015.00	05.08.015.00	05.08.015.00	2
10	Plunger, Solenoid	02.20.343.00	02.20.343.00	02.20.343.00	2
11	Solenoid	02.20.342.00	02.20.407.00	02.20.407.00	2
12	Carriage Spring	05.08.034.00	05.08.034.00	05.08.034.00	2
13	Carriage Handle Assembly	04.05.783.00	04.05.783.00	04.05.783.00	2
14	Knob, Carriage Handle Assembly	R05.30.133.00	R05.30.133.00	R05.30.133.00	2
15	Potentiometer, Color Control	02.18.484.00	02.18.484.00	02.18.484.00	2
16	Micro Switch, DPDT	02.19.193.00	02.19.193.00	02.19.193.00	2
17	Selector Switch ■	---	02.18.452.00	02.18.452.00	2
18	Crumb Tray Assembly	04.05.795.00	04.05.795.00	04.05.795.00	2
19	Wire Guide, Left	04.05.781.00	04.05.781.00	04.05.781.00	4
20	Wire Guide, Right	04.05.778.00	04.05.778.00	04.05.778.00	4
21	Heating Element Assembly, Side *	02.05.789.00	02.05.799.00	02.05.812.00	4
22	Heating Element Assembly, Center *	02.05.792.00	02.05.798.00	02.05.811.00	2
23	Control Board Assembly ♦	02.01.346.00	02.01.360.00	02.01.360.00	2
24	Rubber Foot	05.30.114.00	05.30.114.00	05.30.114.00	4
25	Cord Grip	02.20.233.00	02.20.233.00	02.20.233.00	1
26	Power Cord and Plug				1
	NEMA 5-15P	02.18.474.00	---	---	1
	NEMA 6-15P (U.S.)	---	02.18.475.00	---	1
	NEMA 6-20P (Canada)	---	02.18.476.00	---	1
	CEE 7/7 Schuko	---	---	02.18.527.00	1
	BS-1363	---	---	02.18.528.00	1
	AS 3112	---	---	02.18.529.00	1
	CH1-10P (CCC)	---	---	02.18.533.00	1
	Wiring Diagram	10-01-631	10-01-1034	10-01-1034	

Shaded area contains information for **International models only**.

■ Chinese models (Item # TPT3-230CCC) use Selector Switch P/N 02.18.542.00 and Control Panel Decal P/N 07.01.373.00.

\* Canadian 120 V models (Item # TPT3.120CSA) use P/N 02.05.849.00 (Item 21) and P/N 02.05.847.00 (Item 22).

♦ Canadian 120 V models (Item # TPT3.120CSA) use Control Board Assembly P/N 02.01.379.00.

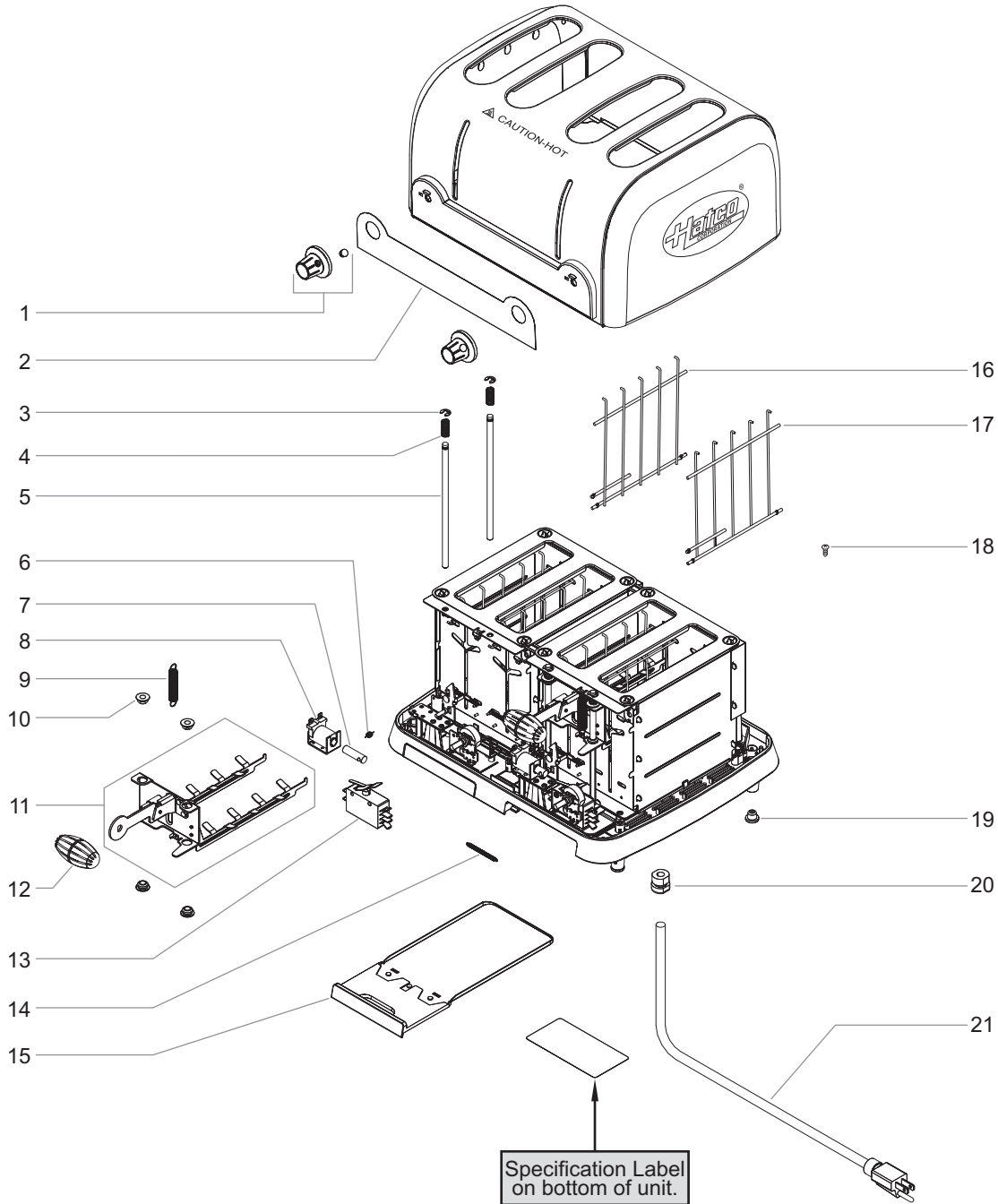
*NOTE: The last four digits in a ten digit numerical serial number are the manufacturing date code.*

*Example: Serial number 9625060951 has a date code of "0951" which indicates the year (09 = 2009) and week (51).*

**HATCO POP-UP TOASTER**  
**TPT-120 Models**

**Model Designation**  
**TPT - XXX**

└── Voltage  
└── Toaster Pop-Up Type

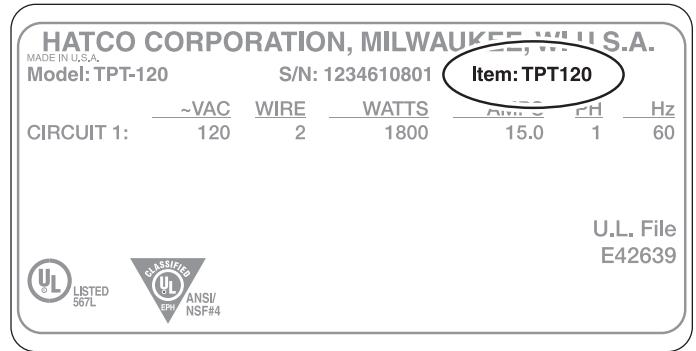


## IMPORTANT! — HOW TO USE THIS SECTION

This section of the TPT Series Replacement Parts List includes part numbers for different versions/revisions of the TPT-120 Model Pop-Up Toaster. Each of these versions were given a specific **Item** number—"TPT120", "TPT-120", "TPT120CA", etc... The **Item** number is printed on the top, right side of the specification label. The specification label is located on the bottom of the unit.

To find the correct replacement parts for a TPT-120 Model Pop-Up Toaster, locate the specific **Item** number and refer to the appropriate column in the table below.

Part numbers of "---" indicate the item is not available for the designated unit.



Example of a TPT-120 Specification Label

## TPT-120 MODELS PARTS LIST

Item	Description	Item #s: TPT120 TPT120CA	Item #s: TPT-120 TPT-120CA TPT-120CA-15A	Quantity
		Part Number	Part Number	
1	Knob, Color Control	05.30.115.00	05.30.115.00	2
2	Decal, Control Panel	07.01.329.00	07.01.329.00	1
3	E-Ring	05.04.558.00	05.04.558.00	4
4	Damping Spring	05.08.017.00	05.08.017.00	4
5	Carriage Shaft	05.07.032.00	05.07.032.00	4
6	Return Spring, Solenoid	05.08.015.00	05.08.015.00	2
7	Plunger, Solenoid	02.20.343.00	02.20.343.00	2
8	Solenoid	02.20.342.00	02.20.342.00	2
9	Carriage Spring	05.08.016.00	05.08.016.00	2
10	Shaft Bushing	05.02.028.00	05.02.028.00	8
11	Carriage Handle Assembly	X04.05.546.00	04.05.678.00	2
12	Knob, Carriage Handle Assembly	R05.30.133.00	R05.30.133.00	2
13	Micro Switch, DPDT	02.19.193.00	02.19.193.00	2
14	Spring, Extension	05.08.019.00	05.08.019.00	4
15	Crumb Tray Assembly	04.05.547.00	04.05.547.00	2
16	Wire Guide, Left	04.05.671.00	04.05.671.00	1
17	Wire Guide, Right	04.05.649.00	04.05.649.00	1
18	Screw	05.04.559.00	---	16
19	Rubber Foot	05.30.114.00	05.30.114.00	4
20	Cord Grip	02.20.357.00	02.20.357.00	1
21	Power Cord and Plug *	02.18.154.00	02.18.154.00	1
22	Heating Element Assembly	---	---	
	Wiring Diagram	10-01-630	10-01-630	

\* 20 A Canadian models (Item # TPT-120CA) use P/N 02.18.089.00

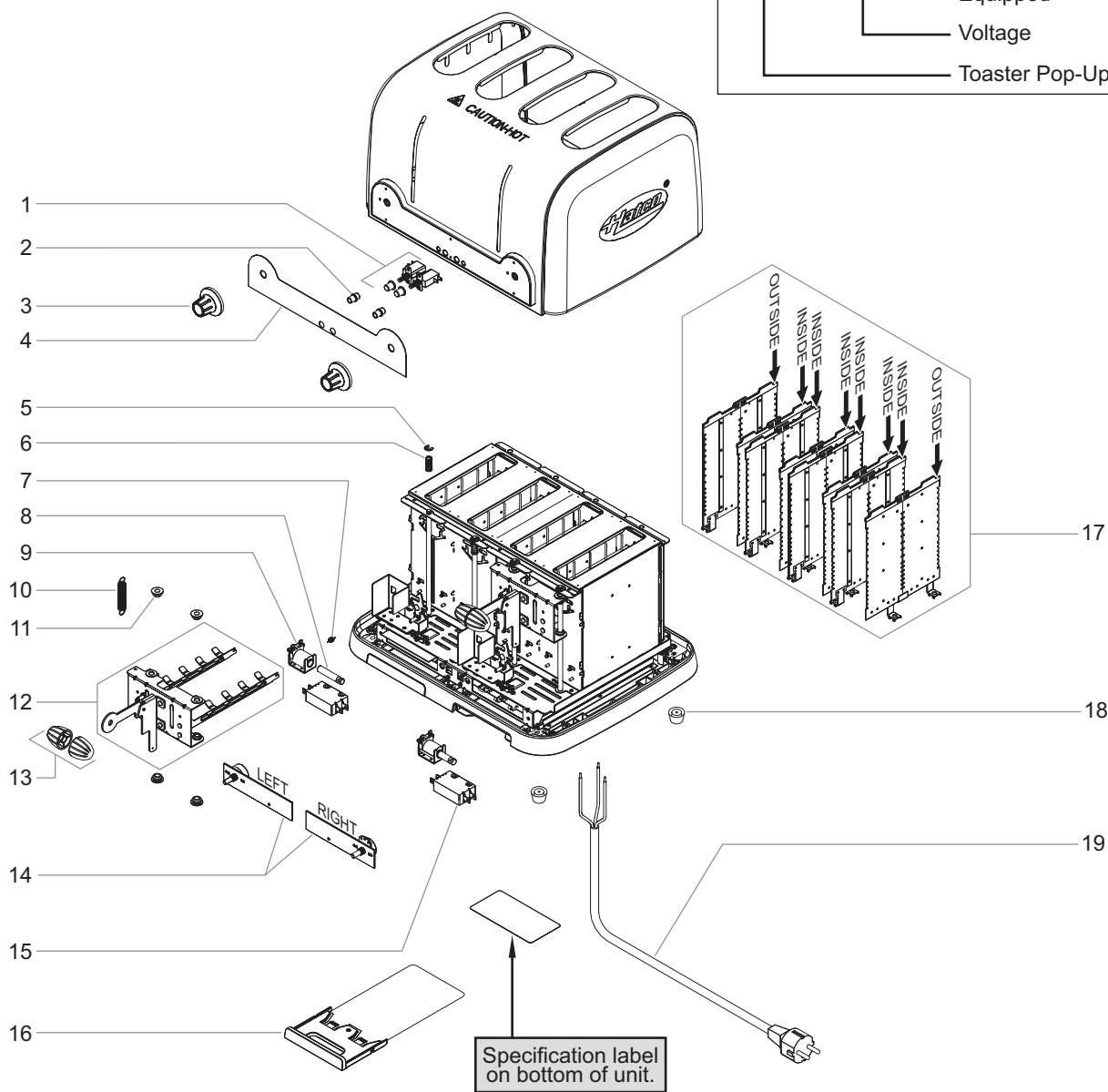
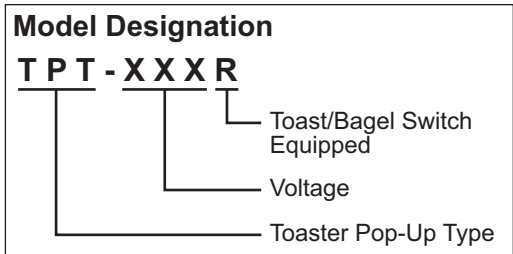
**NOTE:** The last four digits in a ten digit numerical serial number are the manufacturing date code.

Example: Serial number 9625060951 has a date code of "0951" which indicates the following: 0951

└─ Week Fifty-One  
└─ Year 2009

# HATCO POP-UP TOASTER

## TPT-120R and TPT-230R Model



### IMPORTANT! — HOW TO USE THIS SECTION

This section of the TPT Series Replacement Parts List includes part numbers for different versions/revisions of the TPT-120R and TPT-230R Model Pop-Up Toasters. Each of these versions were given a specific **Item** number— "TPT120.R01", "TPT120CA.R01", and "TPT230.R01". The **Item** number is printed on the top, right side of the specification label. The specification label is located on the bottom of the unit.

To find the correct replacement parts for a TPT-120R or TPT-230R Model Pop-Up Toaster, locate the specific **Item** number and refer to the appropriate column in the table on the next page.

Part numbers of "----" indicate the item is not available for the designated unit.

**HATCO CORPORATION, MILWAUKEE, WISCONSIN, U.S.A.**

MADE IN U.S.A.  
**Model: TPT-120R**      S/N: 1234610901      **Item: TPT120.R01**

	~VAC	WIRE	WATTS	Amperes	Hz
CIRCUIT 1:	120	2	1800	15.0	60

U.L. File E42639

UL LISTED 567L      CLASSIFIED EPR ANSV/NSF#4

Example of a TPT-120R Specification Label

## TPT-120R AND TPT-230R MODELS PARTS LIST

Item	Description	Item #s: TPT120.R01 TPT120CA.R01	Item #: TPT-230R-4	Qty.
		Part Number	Part Number	
1	Selector Switch ‡	X02.19.228.00	X02.19.228.00	2
2	Indicator Lamp	X02.30.131.00	X02.30.131.00	2
3	Knob, Color Control	X05.30.141.00	X05.30.141.00	2
4	Decal, Control Panel ‡	X07.01.365.00	X07.01.365.00	1
5	E-Ring	05.04.558.00	05.04.558.00	4
6	Damping Spring	05.08.017.00	05.08.017.00	4
7	Return Spring, Solenoid	X05.08.021.00	X05.08.021.00	2
8	Plunger, Solenoid	X02.20.362.00	X02.20.362.00	2
9	Solenoid	02.20.342.00	02.20.342.00	2
10	Carriage Spring	05.08.016.00	05.08.016.00	2
11	Shaft Bushing	05.02.028.00	05.02.028.00	8
12	Carriage Handle Assembly	X04.05.684.00	X04.05.685.00	2
13	Knob, Carriage Handle Assembly	X05.30.125.00	X05.30.125.00	2
14	Printed Circuit Board			
	Left Side (includes potentiometer)	X02.13.343.00	X02.13.352.00	1
	Right Side (includes potentiometer)	X02.13.342.00	X02.13.351.00	1
15	Micro Switch, DPDT	02.19.193.00	02.19.193.00	2
16	Crumb Tray Assembly	X04.05.682.00	X04.05.683.00	2
17	Heating Element Assembly			
	Inside †	X02.09.288.00	X02.09.290.00	6
	Outside	X02.09.283.00	X02.09.287.00	2
18	Rubber Foot	X05.30.140.00	X05.30.140.00	4
19	Power Cord and Plug			
	NEMA 5-15P *	02.18.154.00	---	1
	CEE 7/7 Schuko (shown)	---	02.18.038.00	1
	BS-1363	---	02.18.068.00	1
	AS 3112	---	02.18.104.00	1
	Wiring Diagram	10-01-782	10-01-911	

Shaded area contains information for **International models only**.

\* Canadian models use P/N 02.18.089.00

† TPT-120R units with date code "0846" use inside heating element assembly X02.09.282.00.

‡ Units with date code "1235" or earlier use Selector Switch X02.19.210.00 and Control Panel Decal X07.01.357.00.

*NOTE: The last four digits in a ten digit numerical serial number are the manufacturing date code.*

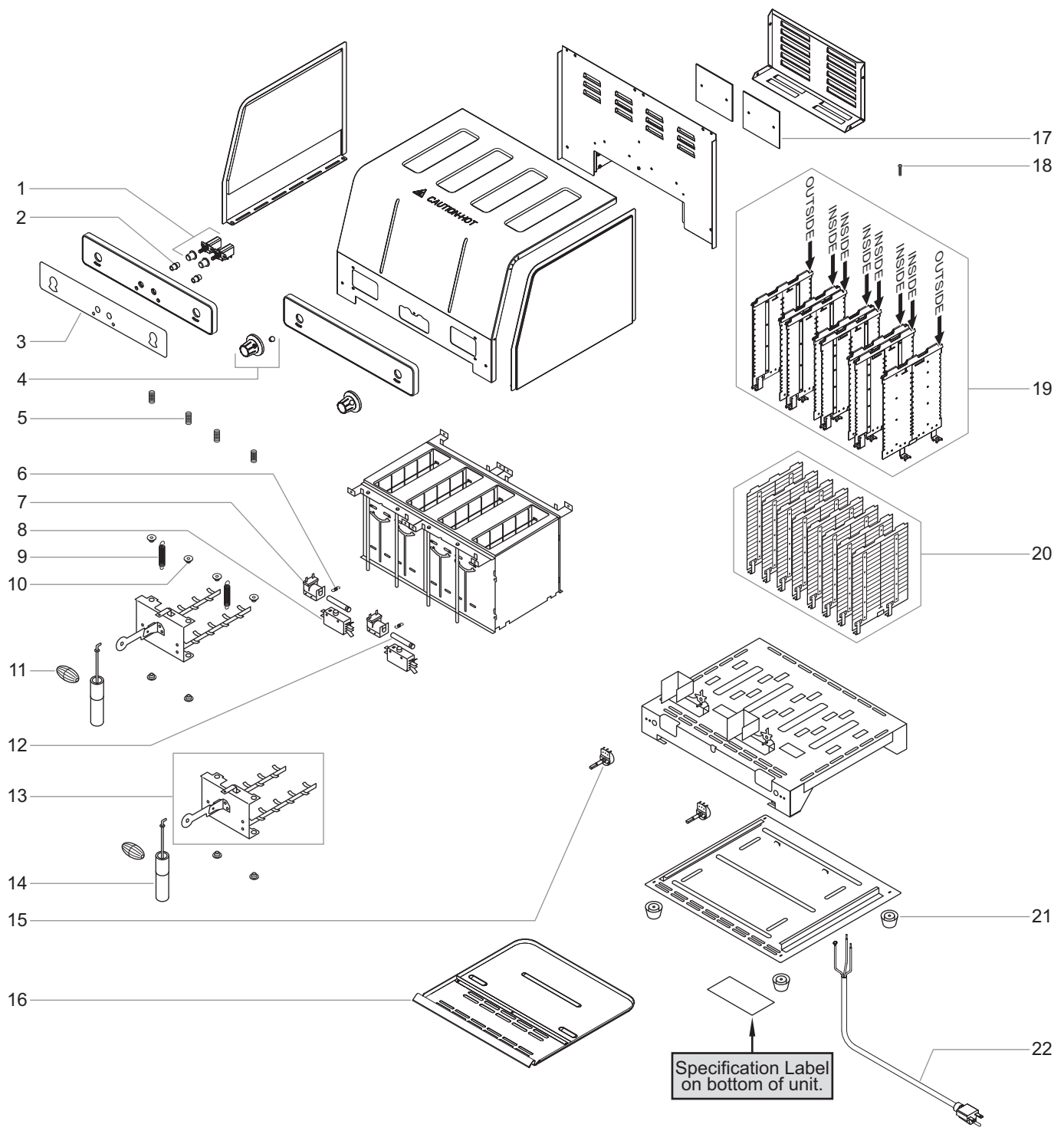
*Example: Serial number 9625060951 has a date code of "0951" which indicates the following: 0951*

└─ Week Fifty-One  
└─ Year 2009

**HATCO POP-UP TOASTER**  
**TPT-208, TPT-240, TPT-230-4 Models**

**Model Designation**  
**TPT - XXX - 4**

\_\_\_\_\_ Qty. of Toasting Slots  
 \_\_\_\_\_ Voltage  
 \_\_\_\_\_ Toaster Pop-Up Type





## IMPORTANT! — HOW TO USE THIS SECTION

This section of the TPT Series Replacement Parts List includes part numbers for different versions/revisions of TPT-208, TPT-240, and TPT-230-4 Model Pop-Up Toasters. Each of these versions were given a specific **Item** number—"TPT208", "TPT208.R01", "TPT240", etc... The **Item** number is printed on the top, right side of the specification label. The specification label is located on the bottom of the unit.

To find the correct replacement parts for a TPT-208, TPT-240, or TPT-230-4 Model Pop-Up Toaster, locate the specific **Item** number and refer to the appropriate column in the table below and on the next page.

Part numbers of "----" indicate the item is not available for the designated unit.

**HATCO CORPORATION, MILWAUKEE, WISCONSIN, U.S.A.**

MADE IN U.S.A.      Model: TPT-208      S/N: 1234610801      **Item: TPT208.R01**

	~VAC	WIRE	WATTS	Amps	Hz
CIRCUIT 1:	208	2	2700	13.0	60

U.L. File  
E42639

Example of a TPT-208 Specification Label

## TPT-208 MODELS PARTS LIST

Item	Description	Item #s: TPT208	Item #s: TPT208.R01	Qty.
		TPT208CA	TPT208CA.R01	
		Part Number	Part Number	
1	Selector Switch	---	X02.19.228.00	2
2	Indicator Lamp	---	X02.30.131.00	2
3	Decal, Control Panel	---	X07.01.366.00	1
4	Knob, Color Control	X05.30.115.00	X05.30.141.00	2
5	Damping Spring	05.08.017.00	05.08.017.00	4
6	Return Spring, Solenoid	05.08.015.00	X05.08.021.00	2
7	Solenoid	02.20.342.00	02.20.342.00	2
8	Micro Switch, DPDT	02.19.193.00	02.19.193.00	2
9	Carriage Spring	05.08.016.00	X05.08.016.00	2
10	Shaft Bushing	05.02.028.00	05.02.028.00	8
11	Knob, Carriage Handle Assembly	R05.30.133.00	X05.30.125.00	2
12	Plunger, Solenoid	X02.20.344.00	X02.20.362.00	2
13	Carriage Handle Assembly	X04.05.548.00	X04.05.685.00	2
14	Damper Assembly	X04.05.550.00	X04.05.686.00	2
15	Potentiometer, Color Control	X02.13.335.00	X02.13.335.00	2
16	Crumb Tray Assembly	X04.05.549.00	X04.05.683.00	1
17	Printed Circuit Board	X02.01.258.00	X02.01.293.00	2
18	Screw	X05.04.561.00	---	16
19	Heating Element Assembly			
	Inside †	---	X02.09.289.00	6
	Outside	---	X02.09.285.00	2
20	Heating Element Assembly	X02.09.273.00	---	8
21	Rubber Foot Kit (includes 4 feet)	R05.30.148.04	R05.30.148.04	1
22	Power Cord and Plug			
	NEMA 6-15P (U.S.)	02.18.036.00	02.18.036.00	1
	NEMA 6-20P (Canada)	02.18.259.00	02.18.259.00	1
	Wiring Diagram	10-01-631	10-01-783	

† TPT-208 units with date code "0846" use inside heating element assembly X02.09.284.00.

**NOTE:** The last four digits in a ten digit numerical serial number are the manufacturing date code.

Example: Serial number 9625060951 has a date code of "0951" which indicates the following: 0951

└─ Week Fifty-One  
└─ Year 2009

## TPT-240 AND TPT-230-4 MODELS PARTS LIST

Item	Description	Item #: TPT240	Item #: TPT240.R01	Item #: TPT-230-4	Qty.
		Part Number	Part Number	Part Number	
1	Selector Switch	---	X02.19.228.00	---	2
2	Indicator Lamp	---	X02.30.131.00	---	2
3	Decal, Control Panel	---	X07.01.366.00	---	1
4	Knob, Color Control	X05.30.115.00	X05.30.141.00	X05.30.115.00	2
5	Damping Spring	05.08.017.00	05.08.017.00	05.08.017.00	4
6	Return Spring, Solenoid	05.08.015.00	X05.08.021.00	05.08.015.00	2
7	Solenoid	02.20.342.00	02.20.342.00	02.20.342.00	2
8	Micro Switch, DPDT	02.19.193.00	02.19.193.00	02.19.193.00	2
9	Carriage Spring	05.08.016.00	X05.08.016.00	05.08.016.00	2
10	Shaft Bushing	05.02.028.00	05.02.028.00	05.02.028.00	8
11	Knob, Carriage Handle Assembly	R05.30.133.00	X05.30.125.00	R05.30.133.00	2
12	Plunger, Solenoid	X02.20.344.00	X02.20.362.00	X02.20.344.00	2
13	Carriage Handle Assembly	X04.05.548.00	X04.05.685.00	X04.05.548.00	2
14	Damper Assembly	X04.05.550.00	X04.05.686.00	X04.05.550.00	2
15	Potentiometer, Color Control	X02.13.335.00	X02.13.335.00	X02.13.335.00	2
16	Crumb Tray Assembly	X04.05.549.00	X04.05.683.00	X04.05.549.00	1
17	Printed Circuit Board	X02.01.258.00	X02.01.293.00	X02.01.282.00	2
18	Screw	X05.04.561.00	---	X05.04.561.00	16
19	Heating Element Assembly				
	Inside †	---	X02.09.290.00	---	6
	Outside	---	X02.09.287.00	---	2
20	Heating Element Assembly	X02.09.274.00	---	X02.09.275.00	8
21	Power Cord and Plug *				
	NEMA 6-15P	02.18.036.00	02.18.036.00	---	1
	CEE 7/7 Schuko	02.18.038.00	---	02.18.038.00	1
	BS-1363	02.18.068.00	---	---	1
22	Rubber Foot (includes 4 feet)	R05.30.148.04	R05.30.148.04	R05.30.148.04	1
	Wiring Diagram	10-01-631	10-01-783	10-01-641	

Shaded area contains information for **International models only**.

\* Canadian models use P/N 02.18.259.00

† TPT-240 units with date code "0846" use inside heating element assembly X02.09.286.00.

NOTE: The last four digits in a ten digit numerical serial number are the manufacturing date code.

Example: Serial number 9625060951 has a date code of "0951" which indicates the following: 0951

└─ Week Fifty-One  
└─ Year 2009